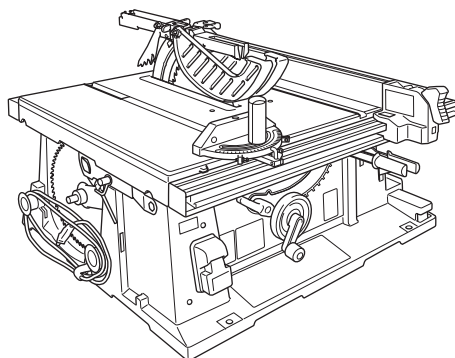


INSTRUCTION MANUAL
MANUEL D'INSTRUCTION
MANUAL DE INSTRUCCIONES



Table Saw Scie de table Sierra de Banco

2705



IMPORTANT: Read Before Using.

IMPORTANT : Lire avant usage.

IMPORTANTE: Lea antes de usar.

SPECIFICATIONS

Model		2705
Arbor hole		15.88 mm (5/8")
Blade diameter		255 mm (10")
Riving knife-related specs.	Blade body thickness	1.8 mm (1/16")
	Riving knife thickness	2.3 mm (3/32")
	Blade diameter	Max.255 mm (10") - Min.250 mm (9-7/8")
	Kerf width	2.6 mm (3/32")
Max. cutting capacities	90°	91 mm (3-9/16")
	45°	63 mm (2-1/2")
Maximum dado capacity		21 mm (13/16")
No load speed (RPM)		4,800/min.
Table size (L x W)		567 mm x (753 mm - 1,066 mm) 22-1/4" x (29-5/8" - 42")
Dimensions (L x W x H) with table not extended		678 mm x 766 mm x 344 mm (26-3/4" x 30-1/4" x 13-1/2")
Net weight		29 kg (64 lbs)

- Due to our continuing programme of research and development, the specifications herein are subject to change without notice.
- Specifications may differ from country to country.

For Your Own Safety Read Instruction Manual

Before Operating Tool Save it for future reference

GENERAL SAFETY PRECAUTIONS

(For All Tools)

- KNOW YOUR POWER TOOL.** Read the owner's manual carefully. Learn the tool's applications and limitations, as well as the specific potential hazards peculiar to it.
- KEEP GUARDS IN PLACE** and in working order.
- REMOVE ADJUSTING KEYS AND WRENCHES.** Form habit of checking to see that keys and adjusting wrenches are removed from tool before turning it on.
- KEEP WORK AREA CLEAN.** Cluttered areas and benches invite accidents.
- DO NOT USE IN DANGEROUS ENVIRONMENT.** Do not use power tools in damp or wet locations, or expose them to rain. Keep work area well lighted. Do not use tool in presence of flammable liquids or gases.
- KEEP CHILDREN AWAY.** All visitors should be kept safe distance from work area.
- MAKE WORKSHOP KID PROOF** with padlocks, master switches, or by removing starter keys.
- DO NOT FORCE TOOL.** It will do the job better and safer at the rate for which it was designed.
- USE RIGHT TOOL.** Do not force tool or attachment to do a job for which it was not designed.
- WEAR PROPER APPAREL.** Do not wear loose clothing, gloves, neckties, rings, bracelets, or other jewelry which may get caught in moving parts. Nonslip footwear is recommended. Wear protective hair covering to contain long hair.
- ALWAYS USE SAFETY GLASSES.** Also use face or dust mask if cutting operation is dusty. Everyday eyeglasses only have impact resistant lenses, they are NOT safety glasses.
- SECURE WORK.** Use clamps or a vise to hold work when practical. It's safer than using your hand and it frees both hands to operate tool.
- DO NOT OVERREACH.** Keep proper footing and balance at all times.
- MAINTAIN TOOLS WITH CARE.** Keep tools sharp and clean for best and safest performance. Follow instructions for lubricating and changing accessories.
- DISCONNECT TOOLS** before servicing; when changing accessories such as blades, bits, cutters, and the like.
- REDUCE THE RISK OF UNINTENTIONAL STARTING.** Make sure switch is in off position before plugging in.
- USE RECOMMENDED ACCESSORIES.** Consult the owner's manual for recommended accessories. The use of improper accessories may cause risk of injury to persons.
- NEVER STAND ON TOOL.** Serious injury could occur if the tool is tipped or if the cutting tool is unintentionally contacted.

19. **CHECK DAMAGED PARTS.** Before further use of the tool, a guard or other part that is damaged should be carefully checked to determine that it will operate properly and perform its intended function - check for alignment of moving parts, binding of moving parts, breakage of parts, mounting, and any other conditions that may affect its operation. A guard or other part that is damaged should be properly repaired or replaced.
20. **DIRECTION OF FEED.** Feed work into a blade or cutter against the direction of rotation of the blade or cutter only.
21. **NEVER LEAVE TOOL RUNNING UNATTENDED. TURN POWER OFF.** Do not leave tool until it comes to a complete stop.
22. **REPLACEMENT PARTS.** When servicing, use only identical replacement parts.
23. **POLARIZED PLUGS.** To reduce the risk of electric shock, this appliance has a polarized plug (one blade is wider than the other). This plug will fit in a polarized outlet only one way. If the plug does not fit fully in the outlet, reverse the plug. If it still does not fit, contact a qualified electrician to install the proper outlet. Do not change the plug in any way.

VOLTAGE WARNING: Before connecting the tool to a power source (receptacle, outlet, etc.) be sure the voltage supplied is the same as that specified on the nameplate of the tool. A power source with voltage greater than that specified for the tool can result in **SERIOUS INJURY** to the user- as well as damage to the appliance. If in doubt, **DO NOT PLUG IN THE APPLIANCE.** Using a power source with voltage less than the nameplate rating is harmful to the motor.

USE PROPER EXTENSION CORD. Make sure your extension cord is in good condition. When using an extension cord, be sure to use one heavy enough to carry the current your product will draw. An undersized cord will cause a drop in line voltage resulting in loss of power and overheating. Table 1 shows the correct size to use depending on cord length and nameplate ampere rating. If in doubt, use the next heavier gage. The smaller the gage number, the heavier the cord.

Table 1: Minimum gage for cord

Ampere Rating		Volts	Total length of cord in feet			
		120V	25 ft.	50 ft.	100 ft.	150 ft.
More Than	Not More Than	AWG				
0	6		18	16	16	14
6	10		18	16	14	12
10	12		16	16	14	12
12	16		14	12	Not Recommended	

ADDITIONAL SAFETY RULES

DO NOT let comfort or familiarity with product (gained from repeated use) replace strict adherence to table saw safety rules. If you use this tool unsafely or incorrectly, you can suffer serious personal injury.

1. **Wear eye protection.**
2. **Do not use the tool in presence of flammable liquids or gases.**
3. **NEVER use the tool with an abrasive cut-off wheel installed.**
4. **Check the blade carefully for cracks or damage before operation. Replace cracked or damaged blade immediately.**
5. **Clean the spindle, flanges (especially the installing surface) and hex nut before installing the blade. Poor installation may cause vibration/wobbling or slippage of the blade.**
6. **Use saw-blade guard and riving knife/spreader and antikickback pawls for every operation for which it can be used, including all through sawing operations. Always assemble and install the blade guard following the step by step instructions outlined in this manual. Through sawing operations are those in which the blade cuts completely through the top of the workpiece as in ripping or cross cutting.**

NEVER use the tool with a faulty blade guard or secure the blade guard with a rope, string, etc. Any irregular operation of the blade guard should be corrected immediately.

7. **Immediately raise the riving knife/spreader to the Spreader position and reattach the guard assembly and side guards, after completing an operation which requires removal of the guarding.**
8. **Do not cut metal objects such as nails and screws. Inspect for and remove all nails, screws and other foreign material from the workpiece before operation.**
9. **Remove wrenches, cut-off pieces, etc. from the table before the switch is turned on.**
10. **NEVER wear gloves during operation.**
11. **Keep hands out of the line of the saw blade.**
12. **NEVER stand or permit anyone else to stand in line with the path of the saw blade.**
13. **Make sure the blade is not contacting the riving knife/spreader or workpiece before the switch is turned on.**
14. **Before cutting an actual workpiece, let the tool run for a while. Watch for vibration or wobbling that could indicate poor installation or a poorly balanced blade.**
15. **NEVER make any adjustments while tool is running. Disconnect tool before making any adjustments.**

16. Use a push stick when required. Push sticks **MUST** be used for ripping narrow workpieces to keep your hands and fingers well away from the blade.
17. Pay particular attention to instructions for reducing risk of **KICKBACK**. **KICKBACK** is a sudden reaction to a pinched, bound or misaligned saw blade. **KICKBACK** causes the ejection of the workpiece from the tool back towards the operator. **KICKBACKS CAN LEAD TO SERIOUS PERSONAL INJURY**. Avoid **KICKBACKS** by keeping the blade sharp, by keeping the rip fence parallel to the blade, by keeping the riving knife/spreader, antikickback pawls and blade guard in place for every operation for which it can be used and operating properly, by not releasing the workpiece until you have pushed it all the way past the blade, and by not ripping a workpiece that is twisted or warped or does not have a straight edge to guide along the fence.
18. Do not perform any operation freehand. Freehand means using your hands to support or guide the workpiece, in lieu of a rip fence or miter gauge.
19. NEVER reach around or over saw blade. NEVER reach for a workpiece until the saw blade has completely stopped.
20. Avoid abrupt, fast feeding. Feed as slowly as possible when cutting hard workpieces. Do not bend or twist workpiece while feeding. If you stall or jam the blade in the workpiece, turn the tool off immediately. Unplug the tool. Then clear the jam.
21. NEVER remove cut-off pieces near the blade or touch the blade guard while the blade is running.
22. Knock out any loose knots from workpiece BEFORE beginning to cut.
23. Do not abuse cord. Never yank cord to disconnect it from the receptacle. Keep cord away from heat, oil, water and sharp edges.
24. Some material contains chemicals which may be toxic. Take caution to prevent dust inhalation and skin contact. Follow material supplier safety data.
25. The side guards can be lifted during workpiece setup and for ease of cleaning. Always make sure that the side guards are down and resting flat against sawtable before plugging in the tool.

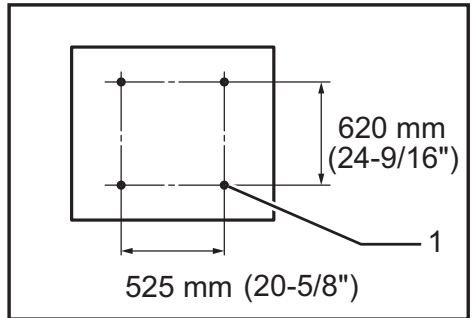
SAVE THESE INSTRUCTIONS.

WARNING:

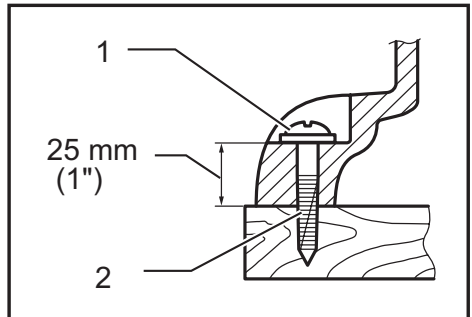
⚠WARNING: MISUSE or failure to follow the safety rules stated in this instruction manual may cause serious personal injury.

INSTALLATION

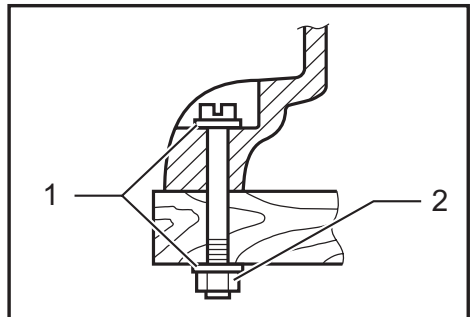
Positioning table saw



► 1. Hole diameter 8 mm (5/16")



► 1. 6 mm (1/4") Std. washer 2. No.10 wood screw 40 mm (1-1/2") min. length



► 1. 6 mm (1/4") Std. washer 2. 6 mm (1/4") Mounting bolt & Nut tighten securely

Locate the table saw in a well lit and level area where you can maintain good footing and balance. It should be installed in an area that leaves enough room to easily handle the size of your workpieces. The table saw should be secured with four screws or bolts to the work bench or table saw stand using the holes provided in the bottom of the table saw. When securing the table saw on the work bench, make sure that there is an opening in the top of the work bench the same size as the opening in the bottom of the table saw so the sawdust can drop through.

If during operation there is any tendency for the table saw to tip over, slide or move, the work bench or table saw stand should be secured to the floor.

CAUTION:

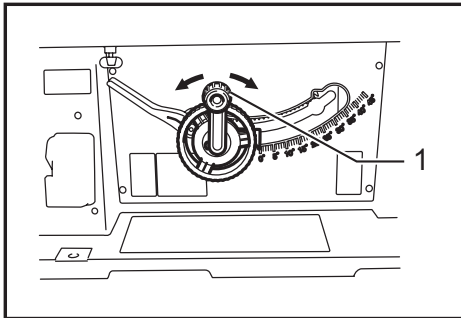
- After adjusting the bevel angle, be sure to tighten the lock lever securely.

FUNCTIONAL DESCRIPTION

CAUTION:

- Always be sure that the tool is switched off and unplugged before adjusting or checking function on the tool.

Adjusting the depth of cut



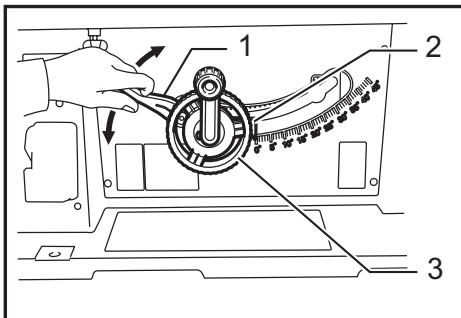
► 1. Handle

The depth of cut may be adjusted by turning the handle. Turn the handle clockwise to raise the blade or counterclockwise to lower it.

NOTE:

- Use a shallow depth setting when cutting thin materials in order to obtain a cleaner cut.

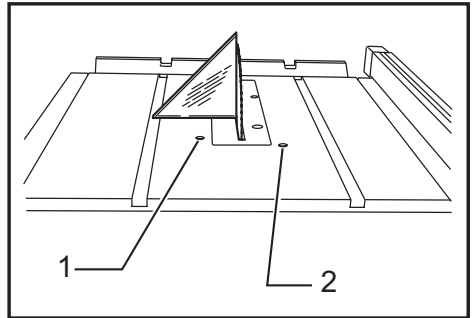
Adjusting the bevel angle



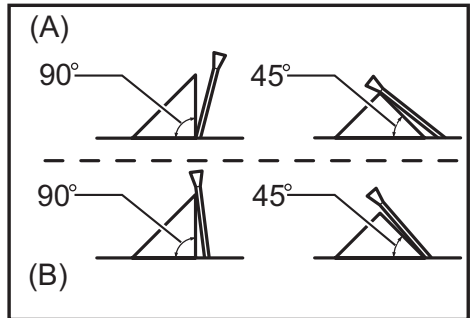
► 1. Lock lever 2. Arrow pointer 3. Handwheel

Loosen the lock lever counterclockwise and turn the handwheel until the desired angle (0° - 45°) is obtained. The bevel angle is indicated by the arrow pointer. After obtaining the desired angle, tighten the lock lever clockwise to secure the adjustment.

Adjusting positive stops

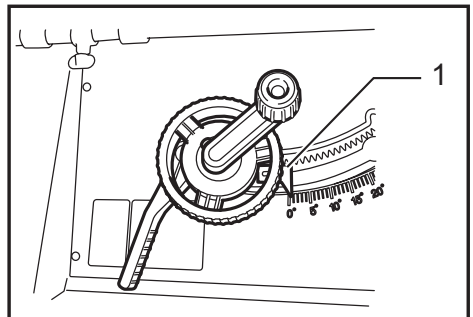


► 1. 90° Adjusting screw 2. 45° Adjusting screw



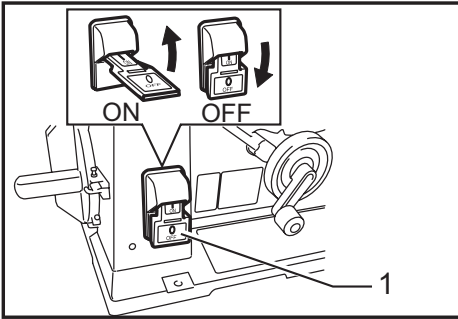
The tool is equipped with positive stops at 90° and 45° to the table surface. To check and adjust the positive stops, proceed as follows:

Move the handwheel as far as possible by turning it. Place a triangular rule on the table and check to see if the blade is at 90° or 45° to the table surface. If the blade is at an angle shown in Fig. A, turn the adjusting screws clockwise; if it is at an angle shown in Fig. B, turn the adjusting screws counterclockwise to adjust the positive stops. After adjusting the positive stops, set the blade at 90° to the table surface. Then adjust the arrow pointer so that its right edge is aligned to the 0° graduation.



► 1. Arrow pointer

Switch action



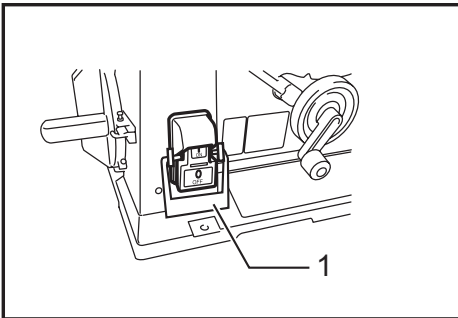
► 1. Switch

⚠ CAUTION:

- Before plugging in the tool, always be sure that the tool is switched off.

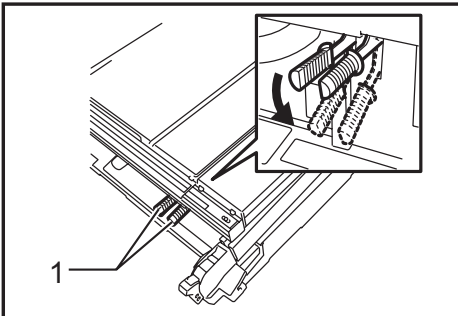
To start the tool, raise the switch lever. To stop it, lower the switch lever.

The hinged switch lever plate can be locked by passing padlock through the hasp on the left hand side.

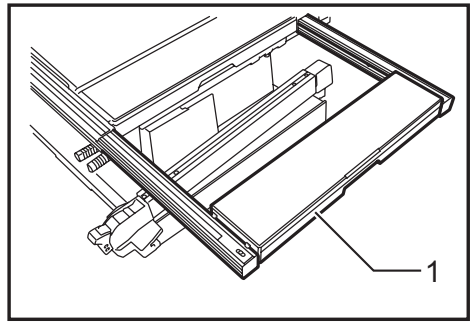


► 1. Padlock

Sub table (R)



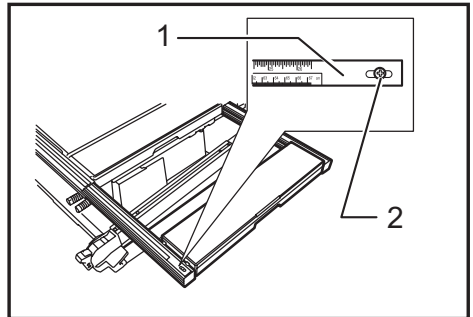
► 1. Lever



► 1. Sub table (R)

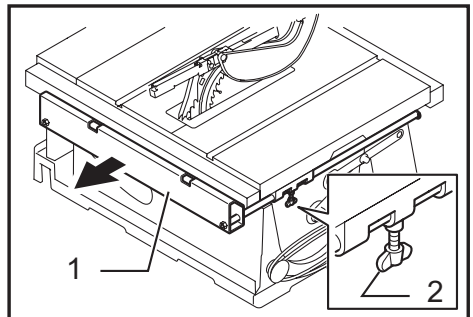
This tool is provided with the sub table (R) on the right side of the main table. To use the sub table (R), raise both levers on the front right side, pull out the table (R) fully and then lower the levers to secure it.

When using the sub table (R), locate the scale plate on the sub table after loosening the screw on it with a screwdriver so that it becomes successive with the scale plate on the main table.



► 1. Scale plate 2. Screw

Sub table (back) and sub table (L) (BOTH optional accessories)

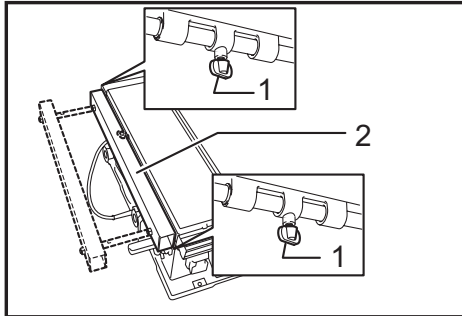


► 1. Sub table (back) 2. Screw

To use the sub table (back), loosen the screws on the left and right hand sides under the table and pull it out backwards to the desired length. At the desired length, tighten the screw securely.

NOTE:

- When using the sub table (back) during use of the rip fence, pull out the sub table (back) more than 50 mm so that it does not hit against the top end of the rip fence.

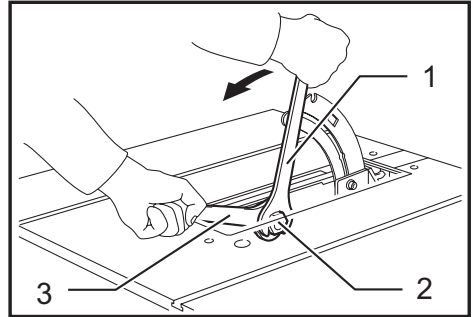


- 1. Screw 2. Sub table (L)

Sub table (back) can be installed at the back of the table to assure wider space. Sub table (L) can be installed on the left side of the table.

Installing or removing saw blade**⚠WARNING:**

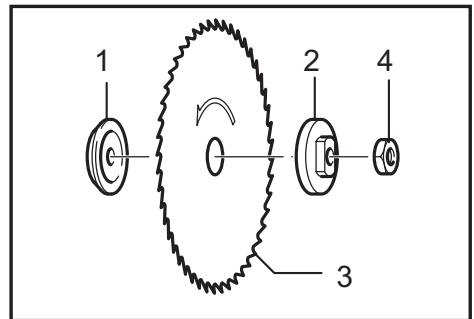
- Always be sure that the tool is switched off and unplugged before installing or removing the blade.
- Use only the Makita socket wrench provided to install or remove the blade. Failure to do so may result in overtightening or insufficient tightening of the hex bolt. This could cause an injury.



- 1. Wrench 2. Hex nut 3. Offset wrench

Remove the table insert on the table. Hold the outer flange with the offset wrench and loosen the hex nut counterclockwise with the wrench. Then remove the outer flange.

Assemble the inner flange, blade, outer flange and hex nut onto the arbor, making sure that the teeth of the blade are pointing down at the front of the table. Always install the hex nut with its recessed side facing the outer flange.

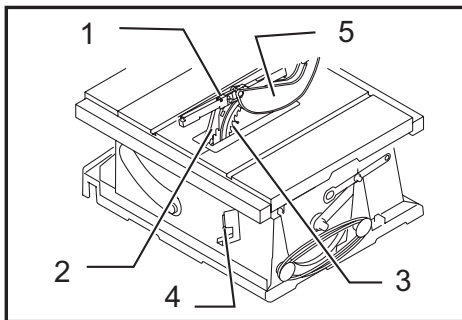


- 1. Inner flange 2. Outer flange 3. Saw blade 4. Hex nut

⚠CAUTION:

- Keep the flange surface clean of dirt or other adhering matter; it could cause blade slippage. Be sure that the blade is installed so that the teeth are aligned in the cutting (turning) direction.

To secure the blade in place, hold the outer flange with the offset wrench, then tighten the hex nut clockwise with the wrench. **BE SURE TO TIGHTEN THE HEX NUT SECURELY.**

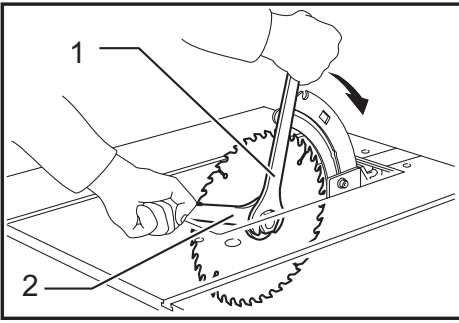
ASSEMBLY**Overview of Table Saw Blade Guarding System**

- 1. Table saw blade guard assembly 2. Antikickback pawls 3. Riving knife/spreader 4. Riving knife/spreader release lever location 5. Table saw blade side guards

⚠WARNING:

- Always be sure that the tool is switched off and unplugged before carrying out any work on the tool.

The saw blade and blade guard are not installed on the tool when it is shipped from the factory.



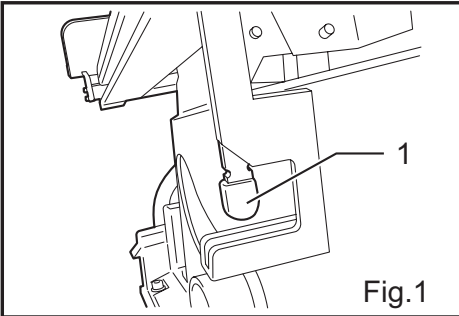
► 1. Wrench 2. Offset wrench

CAUTION:

- Be sure to hold the hex nut carefully with the wrench. If your grip should slip, the wrench may come off the hex nut, and your hand could strike the sharp blade edges.

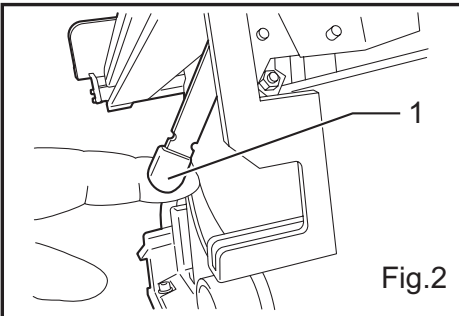
Riving Knife/Spreader Positioning

1. Locate the riving knife/spreader release lever located at the back of the table saw as shown in figure 1.



► 1. Riving Knife/Spreader Release Lever

2. Pull the riving knife/spreader release lever until it stops as shown in figure 2. This action will release the riving knife/spreader for positioning.



► 1. Pull the Riving Knife/Spreader release Lever

3. With the release lever pulled move the riving knife/spreader up or down by hand to the desired position. Once the riving knife/spreader begins to move release the lever and continue to move the riving knife/spreader to the next setting and it will automatically lock into position. The riving knife/spreader is able to lock into 3 positions as shown in figures 3-5 below.

Three Operating Positions of the Riving Knife/Spreader Unit

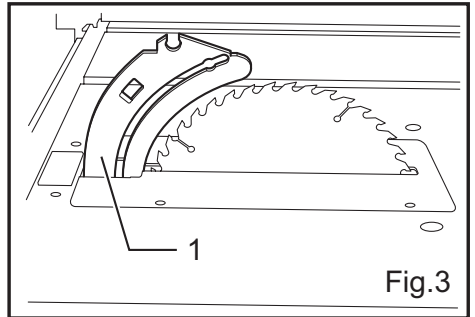
Spreader Position

WARNING:

- This position is used for through-cutting operations and the guard assembly with the side guards should always be used for this type of operation. Conducting a through-cut without proper guarding may result in serious personal injury.

The riving knife/spreader unit can be made ready for the attachment of the guard assembly and side guards by positioning it at the maximum adjustable height as shown in Fig 3. In this position the unit is raised above the blade so that the guard assembly can be installed and made operational. Make sure that the release lever located at the back of the table saw has returned to the position as shown in figure 1. Before mounting the guard be sure to check that the riving knife/spreader unit is in a locked position by pulling up and pushing down on the unit to ensure there is no movement.

Spreader Position



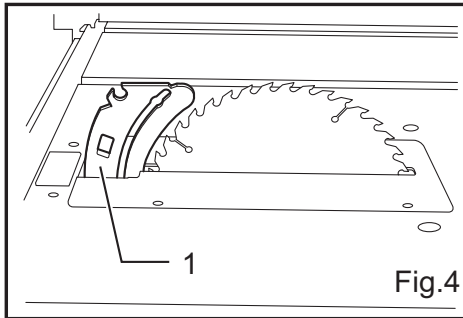
► 1. Riving Knife/Spreader in Spreader Position

Riving Knife Position

⚠️WARNING:

- **Never Operate The Saw With The Guard Mounted To The Riving Knife/ Spreader When The Riving Knife/ Spreader Unit Is In The Riving Knife Position.** The guard may interfere with the feeding of the work piece and could result in kickback and serious injury.

The riving knife/spreader unit can be positioned and locked at a height setting that is just below the top of the saw blade as shown in figure 4. The unit would be used in this position for non-through cutting operations with the guard removed such as rabbets and groove cutting. Make sure that the release lever located at the back of the table saw has returned to the position as shown in figure 1. Before operating the tool be sure to check that the riving knife/spreader unit is in a locked position by pulling up and pushing down on the unit to ensure there is no movement

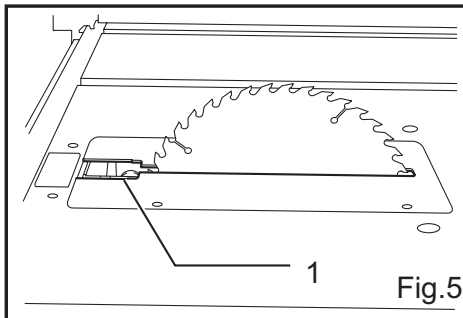


► 1. Riving Knife/Spreader in Riving Knife Position

Dado Position

The riving knife/spreader unit can be positioned and locked at a setting that is just below the table behind the blade as shown in figure 5. This position would only be used while attempting to perform dado cuts with a dado type blade. For ease of operation by pulling the riving knife/spreader release lever the unit will automatically pop up above the table to provide an easy grasping area on the unit so that it can be pulled up from below the table and moved into the next desired position.

Dado Position



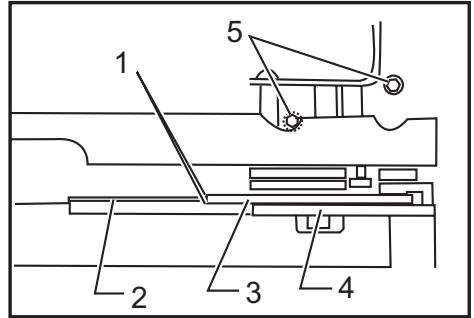
► 1. Riving knife/Spreader in Dado Position

Riving Knife/Spreader Alignment

⚠️WARNING:

- **Always make sure the blade is properly aligned with the riving knife / spreader.** If the blade and the riving knife / spreader are not aligned this could cause interference with the feeding and/or the pinching of the work piece resulting in a kickback situation and possible serious personal injury.
- **NEVER make any adjustments while the tool is running.** Always disconnect the tool before making any adjustments, accidental start up of the tool could result in serious personal injury.

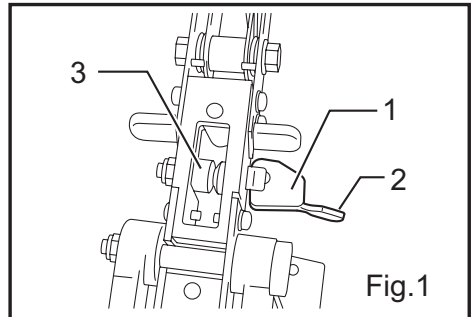
The riving knife / spreader installation is factory-adjusted so that the blade and the riving knife / spreader are properly aligned. However, if the blade and the riving knife / spreader come out of alignment this can be corrected by first unplugging the tool to prevent unintentional operation. Then the hex bolts as shown in item 5 should be loosened using the specially provided wrench. With the hex bolts loosened adjust the riving knife/spreader so that it is aligned directly behind the blade while maintaining equal clearance on either side of the riving knife / spreader in relation to the blade as shown in item 1. Once the riving knife spreader is located properly lock the mounting means into place by tightening the hex bolts as shown in item 5.



► 1. These two clearances should be equal 2. Blade 3. Riving knife/spreader 4. Pressure plate 5. Hex bolts

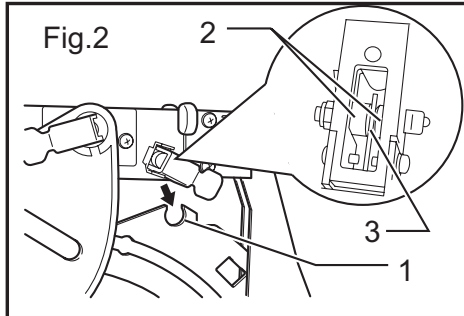
Blade Guard Assembly Installation or Removal

1. Release the locking lever pin of the blade guard by lifting the locking lever tab as shown in figure 1.



► 1. Locking Lever in the released position 2. Locking Lever tab 3. Locking Lever Pin

- For ease of guard assembly installation adjust the table saw for maximum depth of cut. With the locking lever released as shown in Figure 1, position the locking lever pin center groove into the notch provided on the riving knife/spreader unit as shown in figure 2.

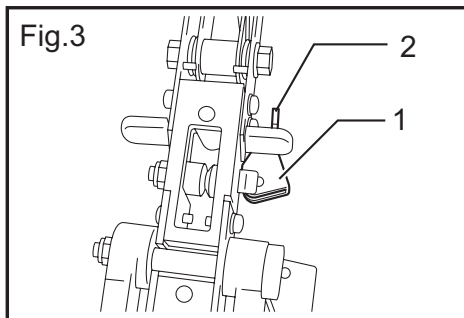


- 1. The notch provided on the Riving Knife/Spreader for the locking lever pin center groove 2. Locking lever pin sleeves 3. Locking lever pin center groove

- Once the locking lever pin is placed into the riving knife/spreader notch it is to be locked into position by pushing the tab of the pin's locking lever into the locked position as shown in Figure 3. Once the pin's locking lever is in the locked position check to ensure that the guard assembly is properly attached to the riving knife/spreader assembly by pulling up on the guard assembly and making sure it does not move its position.

⚠WARNING:

- Always ensure proper attachment of the guard assembly to the Riving Knife/Spreader before turning the saw on. Improper attachment of the guard assembly could result in the saw blade making contact with the guard, causing serious injury.



- 1. Locking Lever in the locked position 2. Locking Lever tab

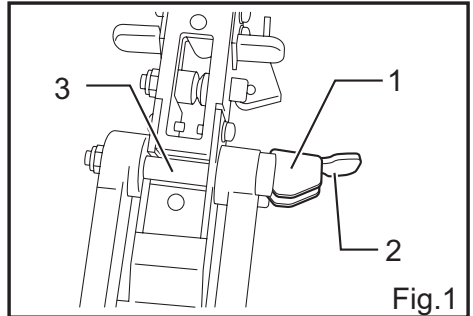
To remove the blade guard for non through cutting operations reverse the above steps 1 - 3.

Installation of Side Guards to Blade Guard Assembly

⚠WARNING:

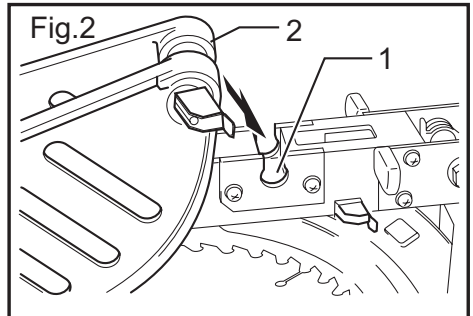
- The guard assembly and side guards should only be used with the riving knife/spreader in the spreader position to prevent guard interference with the work pieces. The use of the guard assembly with the riving knife/spreader in the riving knife position may cause interference with the work piece resulting in a kickback situation and possible serious personal injury.

- Release the locking lever pin of the side guard by lifting the locking lever tab as shown in figure 1.



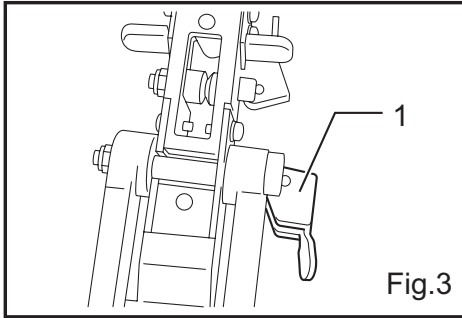
- 1. Side Guard Locking Lever in the released position 2. Side Guard Locking Lever Tab 3. Side Guard Locking Lever Pin

- With the locking Pin released position the pin into the notch provided on the blade guard assembly as shown in figure 2.



- 1. The Notch provided in the Blade Guard Assembly 2. Place locking lever pin into the blade guard assembly

3. Once the locking lever pin is placed into the notch provided on the blade guard assembly it is to be locked into position by pushing the tab of the pin's locking lever into the locked position as shown in Figure 3.



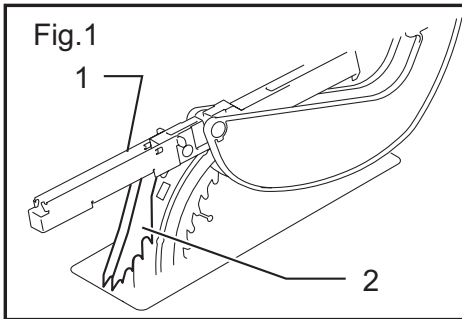
- ▶ 1. The locking lever in the locked position

To remove the blade guard for non through cutting operations reverse the above steps 1-3.

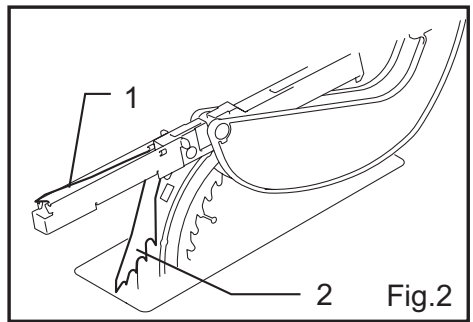
Antikickback Pawl Operation

⚠WARNING:

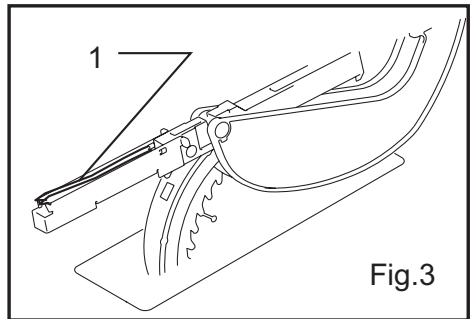
- Use the Antikickback pawls whenever possible during the through cutting operations. This will help prevent the material from being pushed forward into the operator during a kickback situation which may result in serious personal injury.



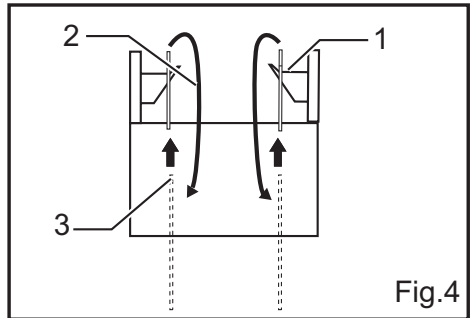
- ▶ 1. The blade guard assembly item 1 is provided with two on board antikickback pawls item 2. The pawls are located on either side of the blade and can be stored or put into operation independently for ease of operation



- ▶ 1. Item 1 illustrates the antikickback pawl on the right side of the blade being lifted and placed into the pawl holder located at the back of the blade guard assembly. 2. In addition item 2 illustrates the antikickback pawl on the left side of the blade remaining in the operational position.

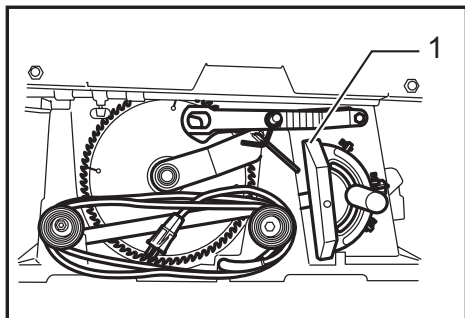


- ▶ 1. Item 1 demonstrates both antikickback pawls being lifted and placed into the pawl holders located at the back of the blade guard assembly for storage

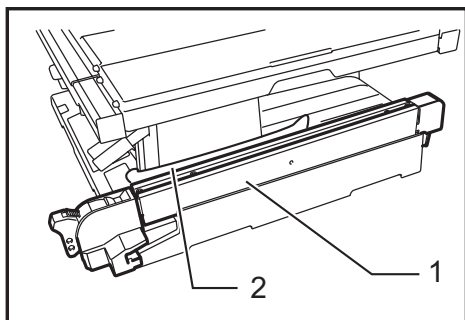


- ▶ 1. Item 1 indicates the location of the antikickback pawl holders located at the back of the blade guard assembly 2. Item 2 points to the arrow direction which should be followed when taking the pawls out of the storage position and placing them into operation 3. Item 3 indicates the direction of which the pawls should be lifted when storing and placing them into the antikickback pawl holders

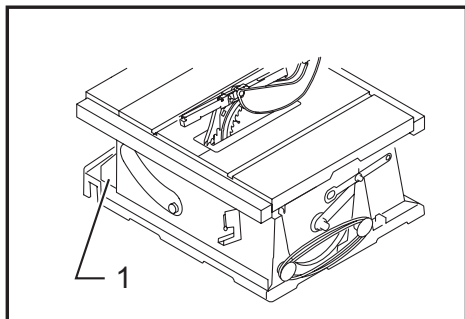
Storage of Blade Guards and Accessories



► 1. Miter gauge



► 1. Rip fence 2. Push stick



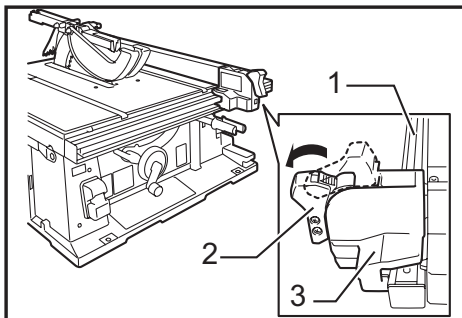
► 1. Table saw blade guard assembly and side guard storage

The miter gauge, blade and wrenches can be stored on the left side of the base and the rip fence can be stored at the right side of the base. The Blade Guard Assembly and Side Guards can be stored independently in the pocket provided on the right side of the table base.

Installing and adjusting rip fence

⚠ WARNING:

- Always be sure the tool is switched off and unplugged before attempting to perform the installation and adjustment of the rip fence.



► 1. Guide rail 2. Knob 3. Hook

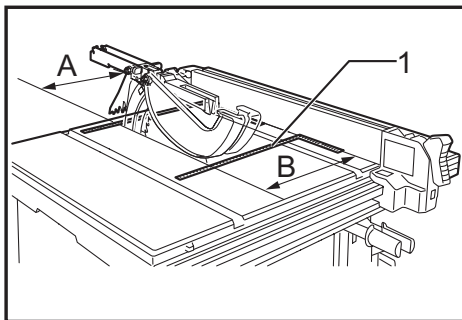
1) Fit the hook on the tip of the rip fence into the far guide rail on the table or sub table (R) and install and push the rip fence forward so that the fence holder engages with the nearest guide rail.

To slide the rip fence on the guide rail sideways, pivot the knob on the fence holder to the half way of its travel. To secure the rip fence, pivot fully the knob on the fence holder.

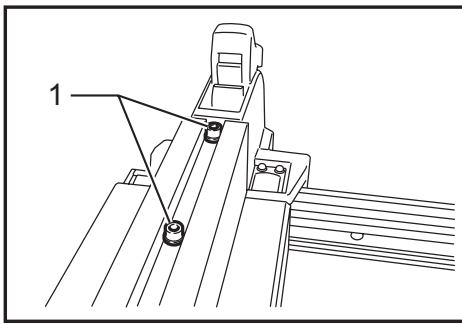
2) To slide the rip fence on the guide rail sideways, return the knob on the fence holder fully without pulling the lever on the knob.

3) To remove it, pull the lever on the knob and pivot the knob fully forward while pulling the lever.

To check to be sure that the rip fence is parallel with the blade, secure the rip fence 2 - 3 mm (5/64" - 1/8") from the blade. Raise the blade up to maximum elevation. Mark one of the blade teeth with a crayon. Measure the distance (A) and (B) between the rip fence and blade. Take both measurements using the tooth marked with the crayon. These two measurements should be identical. If the rip fence is not parallel with the blade, proceed as follows:

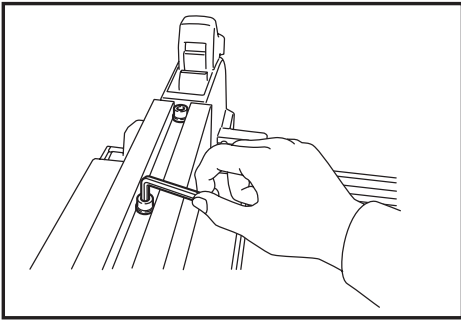


► 1. Scale



► 1. Hex bolts

1. Position the rip fence in the sliding position.
2. Loosen the two hex bolts on the rip fence with the hex wrench provided.
3. Adjust the rip fence until it becomes parallel with the blade.
4. Pivot down the knob on the rip fence toward the operator.
5. Tighten the two hex bolts on the rip fence.

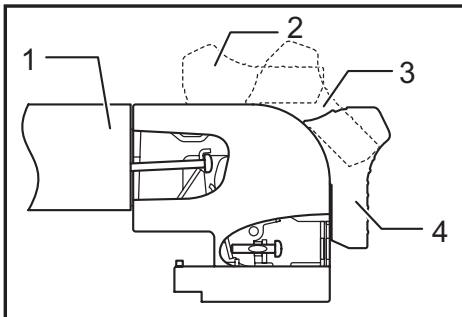


⚠ WARNING:

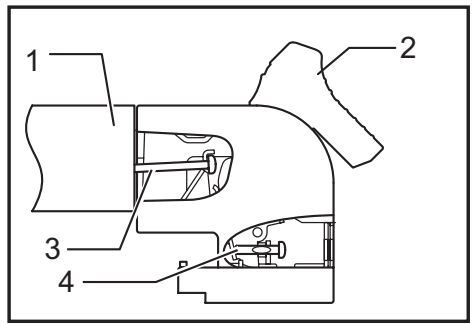
- Be sure to adjust the rip fence so that it is parallel with the blade, or a dangerous kickback condition may occur.

When the rip fence cannot be secured solidly, adjust it according to the following procedure.

- (1) Set the rip fence on the table and then pivot the knob half way through its rotation. Tighten the screw (A) until the rip fence is immobilized. Then loosen a 1/4 to 1/2 turn.



► 1. Rip fence 2. Released position 3. Moving position 4. LOCK position



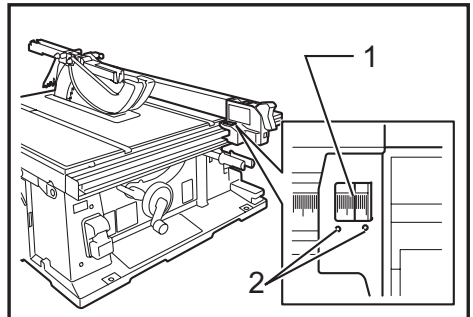
► 1. Rip fence 2. Moving position 3. Screw (B)
4. Screw (A)

- (2) Tighten the screw (B) fully and then loosen about 2 full revolutions.
- (3) Lock the rip fence by fully pivoting the knob on the fence holder (lock position).
- (4) Make sure that the rip fence can be installed and removed in the original position (released position).
- (5) Make sure that the rip fence can be slid smoothly with no wobble when the knob is rotated half way through its rotation.

⚠ CAUTION:

- Be careful not to tighten screws with more than the tightening amount specified in the above instructions. Failure to do so may damage the fastened parts.

Bring the rip fence up flush against the side of the blade. Make sure that the guideline on the fence holder points to the 0 graduation. If the guideline does not point to the 0 graduation, loosen the screw on the scale plate and adjust the scale plate.



► 1. Guideline 2. Screws

OPERATION

CAUTION:

- Always use "work helpers" such as push sticks and push blocks when there is a danger that your hands or fingers will come close to the blade.
- Always hold the workpiece firmly with the table and the rip fence or miter gauge. Do not bend or twist it while feeding. If the workpiece is bent or twisted, dangerous kickbacks may occur.
- NEVER withdraw the workpiece while the blade is running. If you must withdraw the workpiece before completing a cut, first switch the tool off while holding the workpiece firmly. Wait until the blade has come to a complete stop before withdrawing the workpiece. Failure to do so may cause dangerous kickbacks.
- NEVER remove cut-off material while the blade is running.
- NEVER place your hands or fingers in the path of the saw blade. Be especially careful with bevel cuts.
- Always secure the rip fence firmly, or dangerous kickbacks may occur.
- Always use "work helpers" such as push sticks and push blocks when cutting small or narrow workpieces, or when the dado head is hidden from view while cutting.

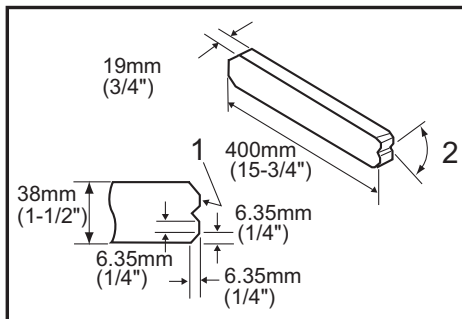
Work helpers

Push sticks, push blocks or auxiliary fence are types of "work helpers". Use them to make safe, sure cuts without the need for the operator to contact the blade with any part of the body.

NOTE:

- For your convenience a push stick has been provided with the tool.

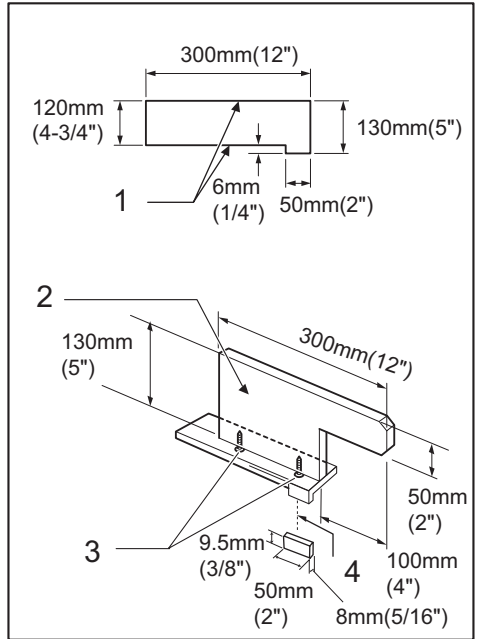
Push stick



► 1. Workpiece end 2. 45° notch

Make the push stick using a piece of 1" x 2" as shown in the figure.

Push block

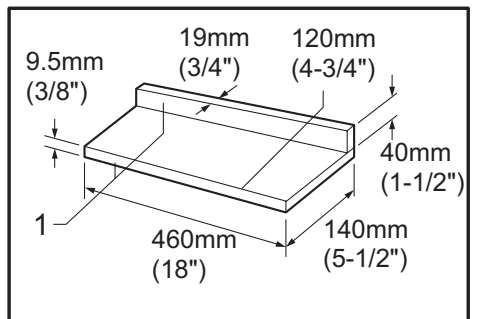


► 1. Face/edge parallel 2. Handle 3. Wood screw 4. Glue together

Use a 19 mm (3/4") piece of plywood.

Handle should be in center of plywood piece. Fasten with glue and wood screws as shown. Small piece 9.5 mm x 8 mm x 50 mm (3/8" x 5/16" x 2") of wood must always be glued to plywood to keep the blade from dulling if the operator cuts into push block by mistake. (Never use nails in push block.)

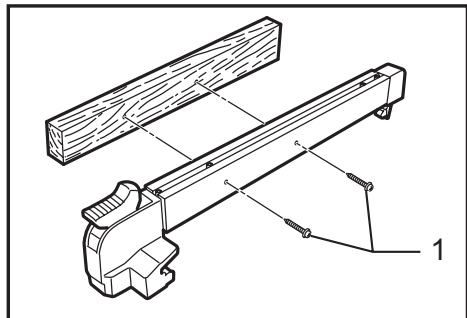
Auxiliary fence



► 1. Face/edge parallel

Make auxiliary fence from 9.5 mm (3/8") and 19 mm (3/4") plywood pieces.

Wood facing (rip fence)



- 1. No. 10 wood screws (long enough to penetrate halfway into facing)

A wood facing should be used for operations when the blade comes close to the rip fence. Wood facing for the rip fence should be the same size as the rip fence. Make sure the bottom of facing is flush with the table surface.

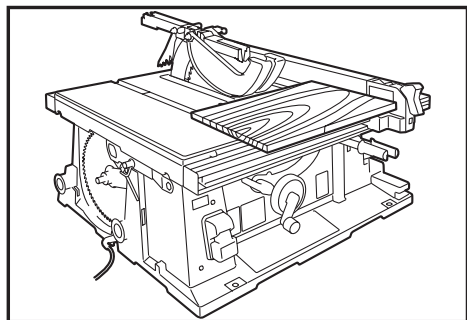
Ripping

⚠ CAUTION:

- When ripping, remove the miter gauge from the table.
- When cutting long or large workpieces, always provide adequate support behind the table. DO NOT allow a long board to move or shift on the table. This will cause the blade to bind and increase the possibility of kickback and personal injury. The support should be at the same height as the table.

Before operating the table saw, check to be sure that the antikickback pawls operate properly. Turn the tool off and unplug it. Feed the workpiece under the blade guard and along both sides of the blade to simulate cutting. Try to withdraw the workpiece on each side by pulling it toward you. The antikickback pawls should grab the workpiece and prevent it from moving back toward the operator. Always keep the antikickback pawls sharp so they will operate properly. Keep them sharp by using a round-shaped file to maintain the original shape of the pawls.

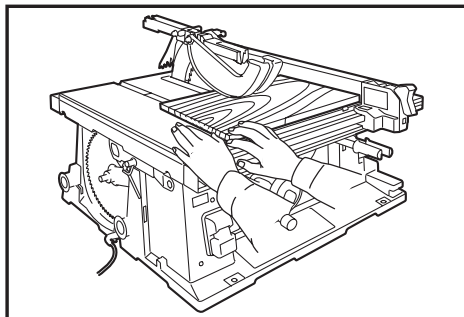
1. Adjust the depth of cut a bit higher than the thickness of the workpiece.



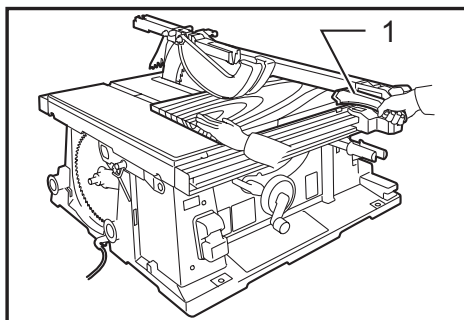
2. Position the rip fence to the desired width of rip and lock in place by pivoting the grip. Before ripping, make sure the rear end of the rip fence is secured firmly. If it is not secured enough, follow the procedures in the section titled "Installing and adjusting rip fence".

3. Turn the tool on and gently feed the workpiece into the blade along with the rip fence.

- (1) When the width of rip is 150 mm (6") and wider, carefully use your right hand to feed the workpiece. Use your left hand to hold the workpiece in position against the rip fence.

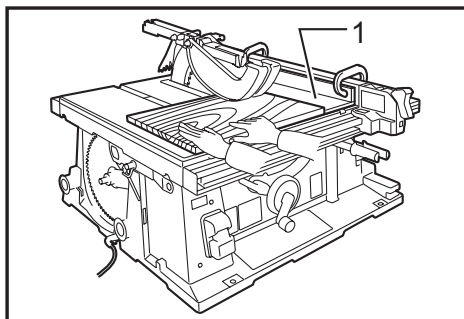


- (2) When the width of rip is 65 mm - 150 mm (2-1/2" - 6") wide, use the push stick to feed the workpiece.



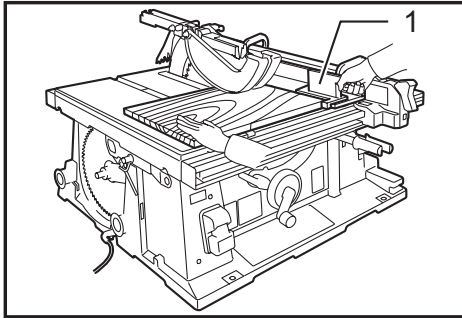
- 1. Push stick

- (3) When the width of rip is narrower than 65 mm (2-1/2"), the push stick cannot be used because the push stick will strike the blade guard. Use the auxiliary fence and push block. Attach the auxiliary fence to the rip fence with two "C" clamps.



- 1. Auxiliary fence

Feed the workpiece by hand until the end is about 25 mm (1") from the front edge of the table. Continue to feed using the push block on the top of the auxiliary fence until the cut is complete.



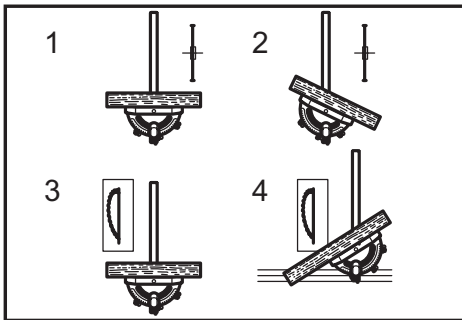
► 1. Push block

Cross cutting

CAUTION:

- When making a crosscut, remove the rip fence from the table.
- When cutting long or large workpieces, always provide adequate support to the sides of the table. The support should be at the same height as the table.
- Always keep hands away from path of blade.

Miter gauge



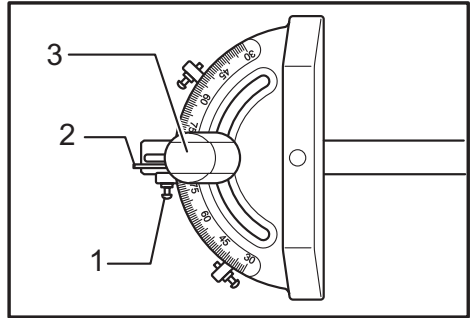
► 1. Cross cutting 2. Mitering 3. Bevel cutting
4. Compound mitering (angles)

Use the miter gauge for the 4 types of cutting shown in the figure.

CAUTION:

- Secure the knob on the miter gauge carefully.
- Avoid movement of the workpiece and gauge by firmly securing the workpiece and gauge, especially when cutting at an angle.
- NEVER hold or grasp the intended "cut-off" portion of the workpiece.

Miter gauge positive stop

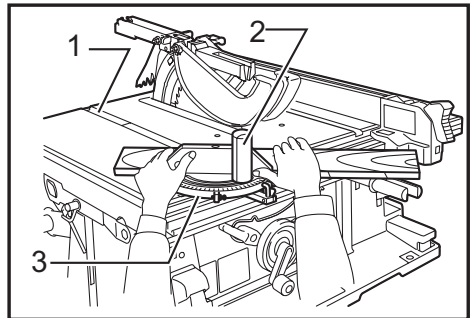


► 1. Knob 2. Small plate 3. Screw for positive stop

Miter gauge is provided with positive stops at 90°, 45° right and left miter angles for quick setting of miter angles.

To set the miter angle, loosen the knob on the miter gauge. Raise the small plate on the miter gauge for free setting. Turn the miter gauge to the desired miter angle. Return the small plate on the miter gauge to the original position and tighten the knob clockwise securely.

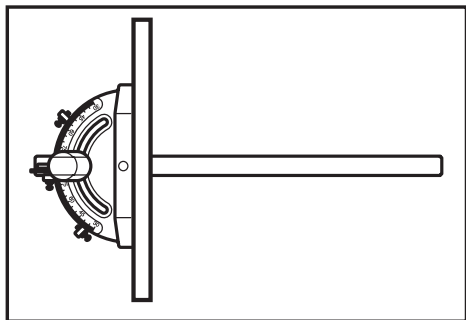
Use of miter gauge



► 1. Groove 2. Knob 3. Miter gauge

Slide the miter gauge into the thick grooves in the table. Loosen the knob on the gauge and align to desired angle (0° to 60°). Bring stock flush up against fence and feed gently forward into the blade.

Auxiliary wood facing (miter gauge)



To prevent a long board from wobbling, fit the miter gauge with an auxiliary fence board. Fasten with bolts/nuts after drilling holes, but fasteners must not protrude from the face board.

Non-through cut

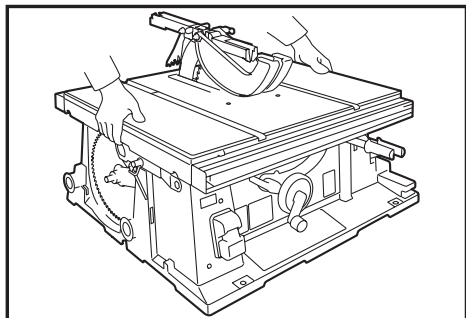
Turn off the tool and unplug it before any adjustment. Remove the blade guard assembly from the riving knife/spreader.

Adjust the riving knife/spreader to the RIVING KNIFE POSITION as described earlier in the manual. Before making a through cut adjust the riving knife/spreader to the spreader position and install the blade guard assembly and the side guards before operation.

⚠ WARNING:

- Conducting a through cut without proper guarding may result in serious personal injury.

Carrying tool



Carry the tool by holding the tool part shown in the figure.

MAINTENANCE

⚠ WARNING:

- Always be sure that the tool is switched off and unplugged before attempting to perform inspection or maintenance.

NOTICE: Never use gasoline, benzine, thinner, alcohol or the like. Discoloration, deformation or cracks may result.

Cleaning

Clean out sawdust and chips from time to time. Carefully clean the blade guard and moving parts inside the table saw.

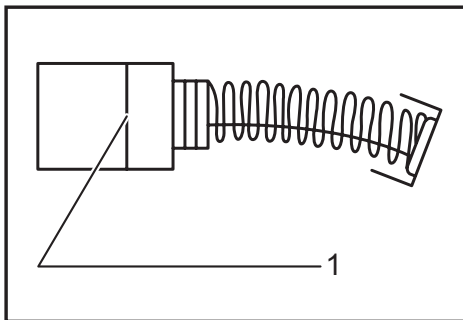
Lubrication

To keep the table saw in tip-top running condition, and to assure maximum service life, oil or grease the moving parts and rotating parts from time to time.

Lubrication places:

- Threaded shaft to elevate the blade
- Hinge to rotate the frame
- Elevation guide shafts on motor
- Gear to elevate the blade
- Guide rails for the rip fence
- Shaft of the sub table (R) locking levers
- Sliding part of the sub table (R)

Replacing carbon brushes

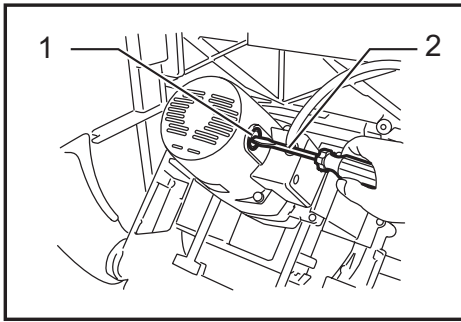


► 1. Limit mark

Remove and check the carbon brushes regularly. Replace when they wear down to the limit mark. Keep the carbon brushes clean and free to slip in the holders. Both carbon brushes should be replaced at the same time. Use only identical carbon brushes.

Use a screwdriver to remove the brush holder caps. To replace the carbon brushes, remove the blade guard and blade and then loosen the lock lever, tilt the saw head and secure it at 45° bevel angle. Carefully lay the tool on itself backward. Then loosen the brush holder cap. Remove the worn carbon brushes, insert the new ones and secure the brush holder caps.

After replacing brushes, plug in the tool and break in brushes by running tool with no load for about 10 minutes. Then check the tool while running and electric brake operation when releasing the switch trigger. If electric brake is not working well, ask your local Makita service center to repair.



► 1. Brush holder cap 2. Screwdriver

To maintain product SAFETY and RELIABILITY, repairs, any other maintenance or adjustment should be performed by Makita Authorized or Factory Service Centers, always using Makita replacement parts.

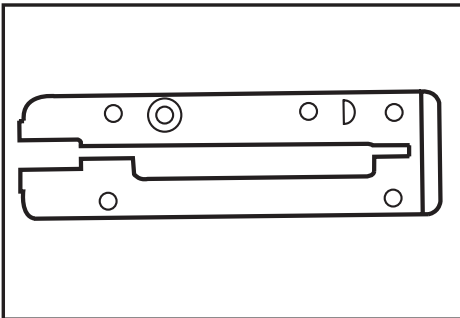
OPTIONAL ACCESSORIES

⚠ WARNING:

- These accessories or attachments are recommended for use with your Makita tool specified in this manual. The use of any other accessories or attachments might present a risk of injury to persons. Only use accessory or attachment for its stated purpose.

If you need any assistance for more details regarding these accessories, ask your local Makita Service Center.

Table insert (Part No. 317934-3)



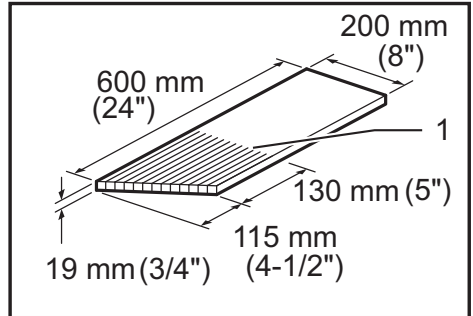
It is required to use this Table Insert for dado head sets. Use of the standard table insert will interfere with the dado head set operation.

To install the dado head set, proceed as follows.

1. Remove the blade guard assembly.
2. Remove the standard table insert.
3. Place riving knife/spreader into the dado position.
4. Install the dado head set according to manufacturer's instructions.

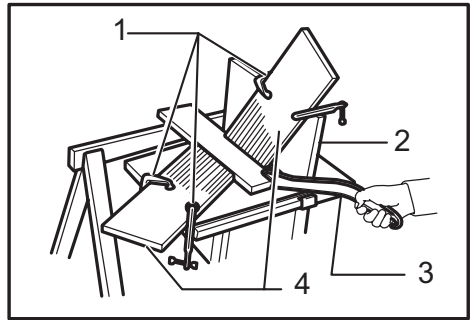
5. Place the table insert for dado cutting into the table.

When dadoing, use featherboards. The diagram shown illustrates dimensions for making a typical featherboard. It should be made from a straight piece of wood that is free of knots or cracks.



- 1. Kerf should be about 6 mm (1/4") apart

Featherboards are used to keep the workpiece in contact with the rip fence and table as shown, and to stop kickbacks.



- 1. C clamps 2. Facing board 3. Push stick
4. Featherboard

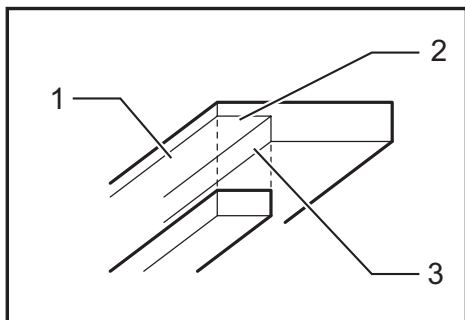
To install featherboards, proceed as follows:

6. Turn the tool off and unplug it.
7. Add 8" high flat facing board to the rip fence, the full length of the rip fence.
8. Mount featherboards to the rip fence and table as shown, so that the leading edges of the featherboards will support the workpiece until the cut is completed, and the workpiece has been pushed completely past the cutter with a push stick.
9. Make sure featherboards are securely attached.

⚠ WARNING:

- Do not use dado headsets wider than 21mm (13/16") or dados greater than 6" in outmost diameter.
- After dadoing, ALWAYS properly adjust the riving knife/spreader and replace the blade guard assembly and side guards for through cuts.
- NEVER attempt bevel cuts when dadoing.
- NEVER dado if there is vibration (flutter) or a strange noise.
- Feed wood slowly, especially when cutting deep or wide grooves or dados. If a deep cut is needed, make several passes through the workpiece rather than one deep, wide cut. Fast or abrupt feeds can be dangerous.
- Use a push stick. When the dado head is hidden from view while cutting, your hands should never be on top of the stock.
- A very dangerous throwback can result if the wood becomes stuck and you try to remove it by pulling toward you. Always stop the tool and wait for dado head to come to a complete stop. Then simply withdraw the wood.
- Use extra caution when the guard assembly is removed for any non-through sawing operation such as dadoing, rabbeting or re-sawing. Adjust the riving knife/spreader and replace the guard assembly and side guards.

How to perform rabbeting



► 1. Rabbet 2. Second cut 3. First cut

1. Remove blade guard assembly and properly adjust the riving knife/spreader to the riving knife position.
2. Attach auxiliary fence to rip fence for cuts that run the length of the stock. Facing should be as high as the workpiece is wide. Adjust fence and blade to desired dimensions.
3. First cut: Hold board flat on table as in ordinary ripping.
4. Second cut: Set workpiece on its edge. (Use featherboards, push stick, push block and so on, using precautions, safety rules and guidelines for ripping or related work.)
5. For end-type rabbeting, if the workpiece is less than 10-1/2" wide, rest the wood flat on the table against the miter gauge (with wood facing). The rip fence should not be used.

6. When moving from a rabbet cut operation to a through cut operation adjust the riving knife/spreader to the spreader position and install the guard assembly and side guards.

Table stand set (accessory)

Refer to the instruction manual for table saw stand that is provided with the table saw stand as an optional accessory.

- Steel & Carbide-tipped saw blades

Table/Miter saw blades	For general purpose cuts for table and miter saws.
Combination	General purpose blade for fast and smooth rip, crosscuts and miters.
Fine cross cuts	For sand-free cuts cleanly against the grain.

- Sub table (L)
- Sub table (back)
- Rip fence
- Miter gauge
- Offset wrench 13-22
- Wrench 19
- Hex wrench 5
- Auxiliary plate
- Stand set
- Sliding guide

NOTE: Some items in the list may be included in the tool package as standard accessories. They may differ from country to country.

MAKITA LIMITED WARRANTY

Please refer to the annexed warranty sheet for the most current warranty terms applicable to this product. If annexed warranty sheet is not available, refer to the warranty details set forth at below website for your respective country.

United States of America: www.makitatools.com

Canada: www.makita.ca

Other countries: www.makita.com

SPÉCIFICATIONS

Modèle		2705
Alésage central		15.88 mm (5/8")
Diamètre de la lame		255 mm (10")
Caractéristiques liées au couteau diviseur	Épaisseur de la lame	1.8 mm (1/16")
	Épaisseur du couteau diviseur	2.3 mm (3/32")
	Diamètre de la lame	Max. 255 mm (10 ") - Min. 250 mm (9-7/8 ")
	Dimension du trait de scie	2.6 mm (3/32")
Capacités de coupe max.	90°	91 mm (3-9/16")
	45°	63 mm (2-1/2")
Capacités d'embrèvement maximales		21 mm (13/16")
Vitesse à vide (T/MIN)		4,800/min
Dimensions de la table (L x P)		567 mm x (753 mm - 1,066 mm) 22-1/4" x (29-5/8" - 42")
Dimensions (L x P x H) avec table non déployée		678 mm x 766 mm x 344 mm (26-3/4" x 30-1/4" x 13-1/2")
Poids net		29 kg (64 lbs)

- Étant donné l'évolution constante de notre programme de recherche et de développement, les spécifications contenues dans ce manuel sont sujettes à modification sans préavis.
- Les spécifications peuvent varier suivant les pays.

Pour votre propre sécurité, veuillez lire le manuel d'instructions

Avant d'utiliser l'outil

Conservez-le pour référence ultérieure

PRÉCAUTIONS GÉNÉRALES (POUR TOUS LES OUTILS)

- VOUS DEVEZ CONNAÎTRE VOTRE OUTIL ÉLECTRIQUE.** Lisez attentivement le manuel d'instructions. Familiarisez-vous avec les applications et limites de l'outil, ainsi qu'avec les risques potentiels qui lui sont spécifiques.
- MAINTENEZ LES PROTECTEURS EN PLACE** et en bon état de fonctionnement.
- RETIREZ LES CLÉS DE RÉGLAGE ET DE SERRAGE.** Prenez l'habitude de vous assurer que les clés de réglage et de serrage ont été retirées de l'outil avant de le mettre sous tension.
- MAINTENEZ LA ZONE DE TRAVAIL PROPRE.** Les zones de travail et les établis encombrés ouvrent grande la porte aux accidents.
- ÉVITEZ L'UTILISATION DANS UN ENVIRONNEMENT DANGEREUX.** N'utilisez pas les outils électriques dans les endroits humides ou mouillés, et ne les exposez pas à la pluie. Maintenez un éclairage adéquat dans la zone de travail. Ne vous servez pas de votre outil en présence de liquides ou gaz inflammables.
- MAINTENEZ LES ENFANTS À L'ÉCART.** Toute autre personne que l'utilisateur de l'outil doit se tenir à une distance sûre de l'aire de travail.
- FAITES EN SORTE QUE L'ATELIER SOIT SANS DANGER POUR LES ENFANTS,** en y posant des cadenas, un interrupteur principal, ou en retirant des équipements leurs clés de démarrage.
- NE FORCEZ PAS L'OUTIL.** Il effectuera un travail de meilleure qualité et plus sécuritaire s'il est utilisé au régime pour lequel il a été conçu.
- UTILISEZ LE BON OUTIL.** Ne forcez pas un outil ou accessoire à effectuer un travail pour lequel il n'a pas été conçu.
- PORTEZ DES VÊTEMENTS ADÉQUATS.** Ne portez ni vêtements ni gants amples, ni cravate, anneaux/bagues, bracelets ou autres bijoux susceptibles d'être happés par les pièces mobiles de l'outil. Le port de chaussures anti-dérapantes est recommandé. Portez un filet de protection pour envelopper les cheveux longs.
- PORTEZ TOUJOURS DES LUNETTES DE SÉCURITÉ.** Si le travail de coupe dégage de la poussière, portez également un écran facial ou un masque antipoussières. Les lunettes ordinaires ne sont munies que de lentilles résistances aux chocs ; elles ne constituent PAS des lunettes de sécurité.
- FIXEZ BIEN LA PIÈCE.** Lorsque cela est possible, fixez la pièce à travailler à l'aide de dispositifs de serrage ou d'un étau. Cela est plus sécuritaire que l'utilisation de la main et libère les deux mains pour le maniement de l'outil.
- MAINTENEZ UNE BONNE POSITION.** Assurez-vous d'une bonne prise au sol et d'une bonne position d'équilibre en tout temps.

14. **PRENEZ SOIN DES OUTILS.** Maintenez les outils bien aiguisés et propres pour assurer une performance sécuritaire et optimale. Suivez les instructions de lubrification et de changement des accessoires.
15. **DÉBRANCHEZ LES OUTILS** avant tout travail de réparation ou avant de changer les accessoires tels que lames, embouts/forets/fraises et couteaux.
16. **RÉDUISEZ LES RISQUES DE MISE EN MARCHÉ ACCIDENTELLE.** Assurez-vous que l'interrupteur est en position d'arrêt avant de brancher l'outil.
17. **UTILISEZ LES ACCESSOIRES RECOMMANDÉS.** Consultez le manuel de l'utilisateur pour savoir quels sont les accessoires recommandés. L'utilisation d'accessoires non adéquats peut comporter un risque de blessure.
18. **NE VOUS APPUYEZ JAMAIS SUR L'OUTIL.** Vous courez un risque de blessure grave si l'outil bascule ou si vous touchez accidentellement l'outil tranchant.
19. **VÉRIFIEZ S'IL Y A DES PIÈCES ENDOMMAGÉES.** Avant d'utiliser l'outil, tout protecteur ou dispositif endommagé doit être vérifié soigneusement afin de s'assurer qu'il fonctionne adéquatement et peut remplir la fonction pour laquelle il est conçu. Vérifiez si les pièces mobiles sont bien alignées et bien fixées, vérifiez la présence de pièces brisées, vérifiez que l'outil est bien monté et assurez-vous que rien ne peut entraver son bon fonctionnement. Un protecteur ou tout autre dispositif endommagé doit être adéquatement réparé ou remplacé.
20. **SENS D'ALIMENTATION.** Vous devez faire avancer la pièce à l'encontre de la lame ou de l'outil tranchant, non la faire progresser dans le même sens.
21. **NE LAISSEZ JAMAIS SANS SURVEILLANCE UN OUTIL EN MARCHÉ. COUPEZ LE CONTACT.** Attendez que l'outil se soit complètement arrêté avant de le quitter.
22. **PIÈCES DE RECHANGE.** Seules des pièces de rechange identiques aux originales doivent être utilisées lors des réparations.
23. **FICHES POLARISÉES.** Pour réduire les risques de choc électrique, cet appareil est muni d'une fiche polarisée (une des lames est plus large que l'autre). Cette fiche ne peut être insérée dans une prise polarisée que dans un seul sens. Si la fiche ne s'insère pas à fond dans la prise, insérez-la en sens inverse. Si elle ne s'insère toujours pas à fond, contactez un technicien qualifié pour faire installer une prise appropriée. N'apportez aucune modification à la fiche.

MISE EN GARDE RELATIVE À LA TENSION : avant de brancher l'outil sur une source d'alimentation (prise ou autre dispositif), assurez-vous que la tension du circuit correspond à celle qui est spécifiée sur la plaque signalétique de l'outil. L'utilisation d'une source d'alimentation dont la tension est supérieure à celle spécifiée pour l'outil peut entraîner une GRAVE BLESSURE et endommager l'outil. En cas de doute, **NE BRANCHEZ PAS L'OUTIL.** L'utilisation d'une source d'alimentation dont la tension est inférieure à la valeur indiquée sur la plaque signalétique endommagera le moteur. **UTILISEZ UN CORDON PROLONGATEUR ADÉQUAT.** Assurez-vous que le cordon prolongateur est en bon état. Lors de l'utilisation d'un cordon prolongateur, utilisez sans faute un cordon assez gros pour conduire le courant que l'outil nécessite. Un cordon trop petit provoquera une baisse de tension de secteur, résultant en une perte de puissance et une surchauffe. Le Tableau 1 indique la dimension appropriée de cordon selon sa longueur et selon l'intensité nominale indiquée sur la plaque signalétique. En cas de doute sur un cordon donné, utilisez le cordon suivant (plus gros). Plus le numéro de gabarit indiqué est petit, plus le cordon est gros.

Tableau 1. Gabarit minimum du cordon

Intensité nominale		Volts			
		120 V			
		Longueur totale du cordon en pieds			
		25 pi	50 pi	100 pi	150 pi
Plus de	Pas plus de	Calibre américain des fils			
0	6	18	16	16	14
6	10	18	16	14	12
10	12	16	16	14	12
12	16	14	12	Non recommandé	

RÈGLES DE SÉCURITÉ SUPPLÉMENTAIRES

NE vous laissez PAS tromper (au fil d'une utilisation répétée) par un sentiment d'aisance et de familiarité avec l'outil, en négligeant le respect rigoureux des règles de sécurité qui accompagnent la scie circulaire à table. Si cet outil n'est pas utilisé de façon sûre et adéquate, il y a un risque de blessure grave.

1. Portez un protecteur pour la vue.
2. Ne vous servez pas de votre outil en présence de gaz ou liquides inflammables.

3. N'utilisez JAMAIS l'outil avec une meule abrasive.
4. Avant l'utilisation, assurez-vous que la lame ne comporte aucune fissure et qu'elle n'est pas endommagée. Remplacez immédiatement toute lame fissurée ou endommagée.
5. Avant d'installer la lame, nettoyez l'axe, les flasques (tout particulièrement leur surface de pose) et l'écran hexagonal. La lame risque de vibrer, d'osciller ou de glisser si elle n'est pas correctement installée.

6. Utilisez le protecteur de lame, le couteau diviseur/séparateur et les dispositifs anti-choc en retour chaque fois que cela est possible, y compris pour les opérations de sciage de part en part. Assemblez toujours le protecteur de lame en respectant les instructions pas à pas du présent manuel. Les opérations de sciage de part en part sont celles où la lame coupe complètement à partir du bout de la pièce, comme dans le sciage en long ou le sciage en travers. N'utilisez JAMAIS l'outil si le protecteur de lame est brisé et ne le fixez pas à l'aide d'une corde, une ficelle, etc. Tout fonctionnement irrégulier du protecteur de lame doit être corrigé immédiatement.
7. Après avoir complété une opération requérant l'enlèvement des dispositifs de protection, positionnez immédiatement le couteau diviseur/séparateur à la position Séparateur et réinstallez les protecteurs.
8. Ne coupez pas d'objets métalliques tels que les clous et les vis. Avant l'utilisation, veuillez vérifier la présence de clous, vis et autres corps étrangers, et les retirer de la pièce le cas échéant.
9. Avant de mettre le contact, retirez de la table les clés, bouts de pièce sciés et autres objets.
10. Ne portez JAMAIS de gants pendant l'utilisation de cet outil.
11. Gardez les mains à l'écart de la trajectoire de la lame.
12. Ne vous placez JAMAIS dans la trajectoire de la lame et assurez-vous que personne ne s'y trouve.
13. Avant de mettre l'outil sous tension, assurez-vous que la lame n'entre pas en contact avec le couteau diviseur/séparateur ou la pièce.
14. Avant de scier la pièce elle-même, faites tourner l'outil un instant à vide. Soyez attentif à toute vibration ou sautellement pouvant indiquer que la lame n'est pas bien installée ou est mal équilibrée.
15. N'effectuez JAMAIS de réglages pendant que l'outil tourne. Débranchez l'outil avant d'effectuer les réglages.
16. Lorsque nécessaire, utilisez un bâton-poussoir. Vous DEVEZ utiliser un bâton-poussoir pour scier en long des pièces minces, de sorte que vos mains et doigts demeurent à l'écart de la lame.
17. Soyez particulièrement attentif aux instructions afin de réduire le risque de CHOC EN RETOUR. Le CHOC EN RETOUR est une réaction soudaine provoquée par une lame coincée, pliée ou désalignée. Le CHOC EN RETOUR provoque l'éjection de la pièce vers l'opérateur. LES CHOC EN RETOURS PEUVENT PROVOQUER DES BLESSURES GRAVES. Évitez les CHOC EN RETOURS en vous assurant que la lame est aiguisée, que le couteau diviseur/séparateur, les dispositifs anti-choc en retour et le protecteur de lame sont en place lors de toutes les opérations, lorsque cela est possible. Vous devez également veiller à faire une utilisation adéquate de l'outil en ne relâchant pas la pièce jusqu'à ce que la lame y ait passé de part en part et en évitant de scier une pièce tordue, gauchie ou n'ayant pas de bord droit pour être guidé le long du guide.
18. Ne sciez jamais à la volée. Le sciage à la volée consiste à utiliser les mains au lieu d'un garde parallèle ou d'un guide d'onglet pour soutenir ou guider la pièce.
19. N'approchez JAMAIS les mains de lame. N'approchez jamais les mains de la lame pour saisir une pièce avant que la lame ne soit complètement arrêtée.
20. Évitez de faire avancer l'outil de manière brusque ou rapide. Faites-le avancer le plus lentement possible lorsque vous sciez des pièces dures. Évitez de plier ou tordre la pièce pendant la progression de l'outil. Coupez immédiatement le contact de l'outil si la lame se bloque ou se coince dans la pièce. Débranchez l'outil. Dégagez la lame.
21. NE retirez JAMAIS les bouts de pièce coupés et ne touchez pas le protecteur de lame alors que la lame tourne.
22. AVANT de commencer la coupe, arrachez tous les nœuds lâches non adhérents de la pièce.
23. Ne maltraitez pas le cordon. Ne tirez jamais directement sur le cordon pour le débrancher de la prise de courant. Maintenez le cordon à l'écart de la chaleur, de l'eau, de l'huile et des objets à bords tranchants.
24. Certains matériaux contiennent des produits chimiques qui peuvent être toxiques. Prenez les précautions nécessaires pour éviter l'inhalation de ces poussières ou leur contact avec la peau. Conformez-vous aux consignes de sécurité du fournisseur du matériau.
25. Les protecteurs latéraux peuvent être levés lors de la mise en place de la pièce ou pour une plus grande facilité de nettoyage. Avant de brancher l'outil, assurez-vous toujours que les protecteurs latéraux sont abaissés et qu'ils reposent à plat sur la scie circulaire à table.

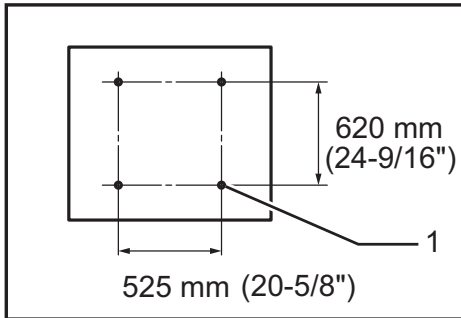
CONSERVEZ CE MODE D'EMPLOI.

AVERTISSEMENT:

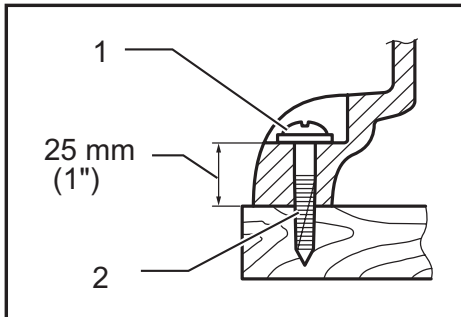
▲ MISE EN GARDE : Une MAUVAISE UTILISATION de l'outil ou l'ignorance des consignes de sécurité du présent manuel d'instructions peuvent entraîner une grave blessure.

POSE

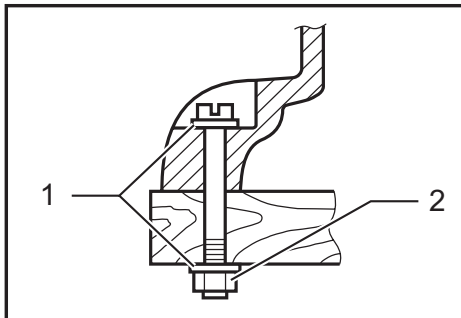
Placement de la scie circulaire à table



- 1. Diamètre d'orifice 8 mm (5/16")



- 1. Rondelle ordinaire de 6 mm (1/4") 2. Vis à bois no 10, longueur min. 40 mm (1-1/2")



- 1. Rondelle ordinaire de 6 mm (1/4") 2. Boulon et écrou de montage de 6 mm (1/4") – Serrer fermement

Placez la scie circulaire à table dans un emplacement bien éclairé et de niveau, où vous pourrez maintenir une position stable et équilibrée. Elle doit être installée dans un emplacement fournissant l'espace nécessaire à la facilité des manipulations, suivant la taille des pièces à travailler. La scie circulaire à table doit être fixée à l'établi ou au support de scie circulaire à table au moyen de quatre vis ou boulons, en utilisant les orifices prévus à cet effet au bas de la scie circulaire à table.

Si vous installez la scie circulaire à table sur un établi, assurez-vous que ce dernier comporte une ouverture sur le dessus et que cette ouverture est de taille identique à celle se trouvant sur la face inférieure de la scie circulaire à table, de sorte que la sciure de bois puisse s'y échapper.

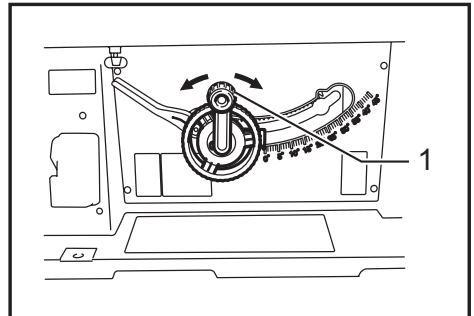
Il faudra fixer l'établi ou le support de scie circulaire à table au plancher si, pendant la coupe, la scie circulaire à table a tendance à basculer, glisser ou bouger.

DESCRIPTION DU FONCTIONNEMENT

⚠ ATTENTION :

- Assurez-vous toujours que l'outil est hors tension et débranché avant de l'ajuster ou de vérifier son fonctionnement.

Réglage de la profondeur de coupe



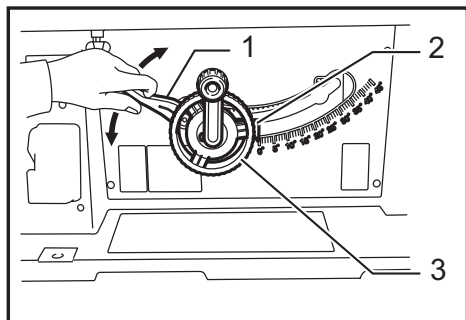
- 1. Manche

Le réglage de la profondeur de coupe s'effectue en tournant la poignée. Tournez la poignée dans le sens des aiguilles d'une montre pour élever la lame, et en sens inverse pour l'abaisser.

NOTE :

- Réglez-la sur une faible profondeur lorsque vous coupez des matériaux minces, afin d'obtenir une coupe plus nette.

Réglage de l'angle de coupe en biseau



► 1. Levier de verrouillage 2. Pointeur flèche 3. Volant de commande

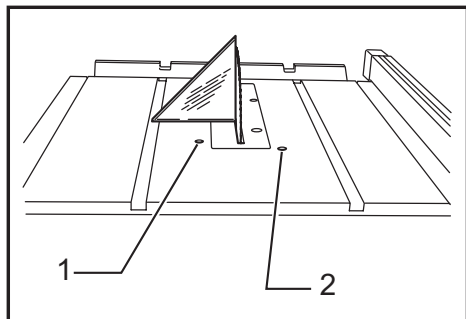
Desserrez le levier de verrouillage en le tournant dans le sens inverse des aiguilles d'une montre et tournez le volant de commande jusqu'à l'angle désiré (0° à 45°). L'angle de coupe en biseau est indiqué par le pointeur flèche.

Une fois l'angle désiré obtenu, serrez le levier de verrouillage en le tournant dans le sens des aiguilles d'une montre pour conserver ce réglage.

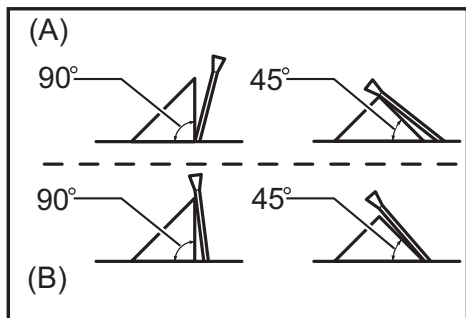
⚠ ATTENTION :

- Une fois l'angle de coupe en biseau réglé, n'oubliez pas de serrer fermement le levier de verrouillage.

Réglage des butées fixes

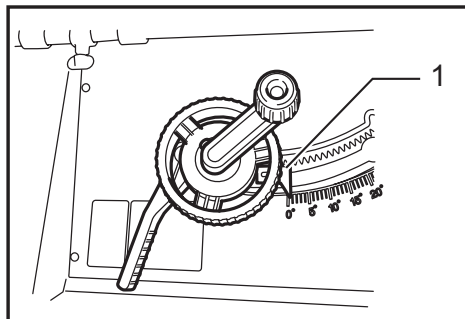


► 1. Vis de réglage 90° 2. Vis de réglage 45°



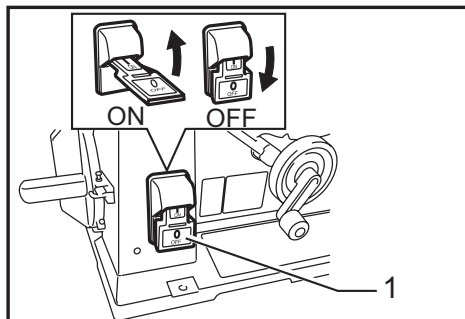
L'outil est équipé de butées fixes sur les positions correspondant à 90° et 45° sur la surface de la table. Pour vérifier et régler les butées fixes, procédez comme suit : Déplacez le volant de commande le plus loin possible en le tournant. Placez une règle triangulaire sur la table et vérifiez que la lame se trouve à un angle de 90° ou 45° par rapport à la surface de la table. Si la lame se trouve sur un angle indiqué sur la Fig. A, tournez les vis de réglage dans le sens des aiguilles d'une montre ; si elle se trouve sur un angle indiqué sur la Fig. B, tournez-les dans le sens inverse pour ajuster les butées fixes.

Une fois les butées fixées réglées, réglez la lame sur un angle de 90° par rapport à la surface de la table. Ajustez ensuite la pointe de la flèche de sorte que son bord de droite soit aligné sur la valeur de graduation 0°.



► 1. Pointeur flèche

Interrupteur



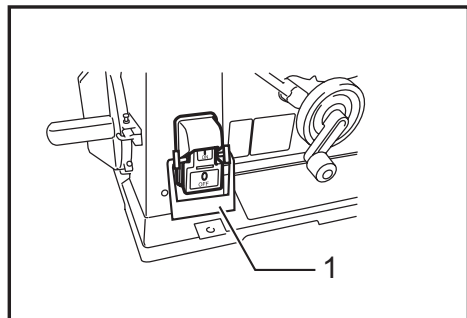
► 1. Interrupteur

⚠ ATTENTION :

- Toujours vérifier que l'outil soit mis sur l'arrêt avant de le brancher.

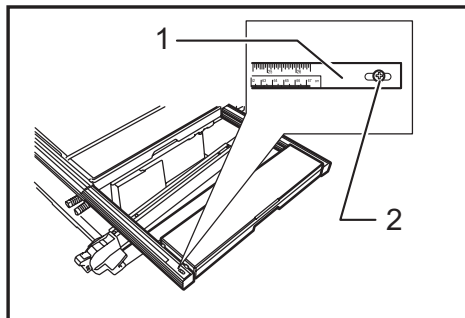
Pour mettre l'outil en marche, soulevez le levier de l'interrupteur. Pour l'arrêter, abaissez le levier de l'interrupteur.

La plaque du levier de l'interrupteur, articulée, se verrouille en passant le cadenas dans le morillon, du côté gauche.



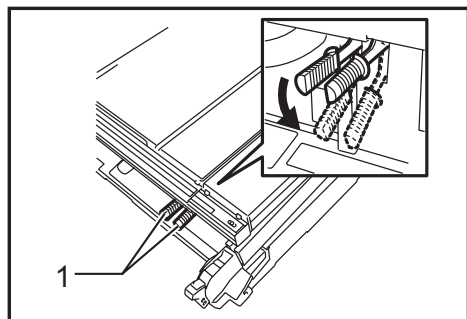
► 1. Cadenas

Lorsque vous utilisez la table auxiliaire (R), desserrez la vis de son secteur angulaire à l'aide d'un tournevis pour le placer dans le prolongement du secteur angulaire de la table principale.



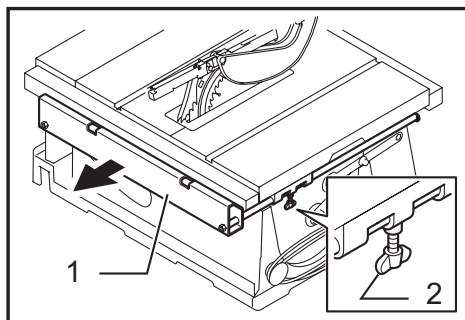
► 1. Secteur angulaire 2. Vis

Table auxiliaire (R)

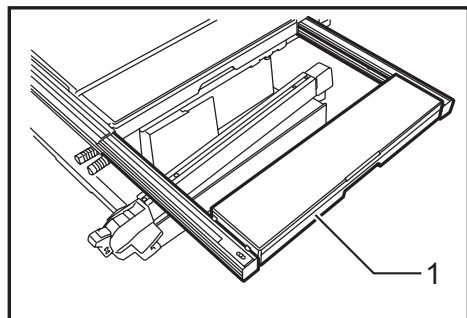


► 1. Levier

Table auxiliaire (arrière) et table auxiliaire (L) (toutes deux en option)



► 1. Table auxiliaire (arrière) 2. Vis



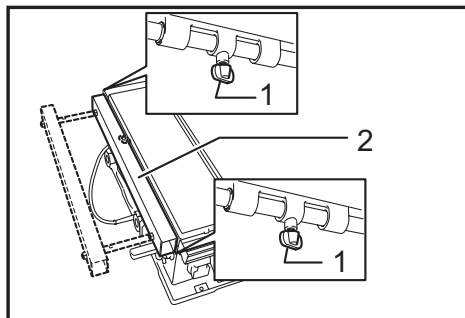
► 1. Table auxiliaire (R)

Cet outil est équipé d'une table auxiliaire (R) située du côté droit de la table principale. Pour utiliser la table auxiliaire (R), soulevez les deux leviers à l'avant du côté droit, tirez la table (R) pour la sortir complètement, puis abaissez les leviers pour l'immobiliser.

Pour utiliser la table auxiliaire (arrière), desserrez les vis des côtés gauche et droite sous la table et tirez-la dans le sens inverse jusqu'à la longueur désirée. Serrez fermement la vis à la longueur désirée.

NOTE :

- Pour utiliser la table auxiliaire (arrière) avec le garde parallèle, tirez la table auxiliaire (arrière) de plus de 50 mm, de sorte qu'elle ne frappe pas contre l'extrémité supérieure du garde parallèle.

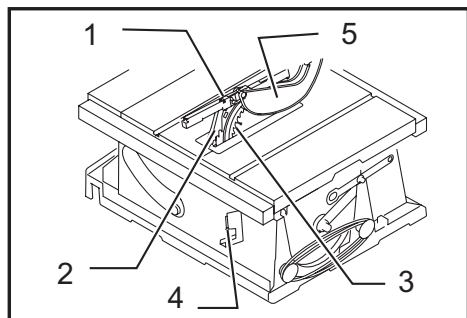


► 1. Vis 2. Table auxiliaire (L)

La table auxiliaire (arrière) s'installe à l'arrière de la table pour obtenir une plus grande surface de travail. La table auxiliaire (L) s'installe du côté gauche de la table.

ASSEMBLAGE

Aperçu du système de protection de la lame de la scie circulaire à table



- 1. Protecteur de lame de la scie circulaire à table
2. Dispositifs anti-choc en retour 3. Coupeur diviseur/séparateur 4. Emplacement du levier de dégagement du coupeur diviseur/séparateur 5. Protectors latéraux de la lame de la scie circulaire à table

⚠ MISE EN GARDE :

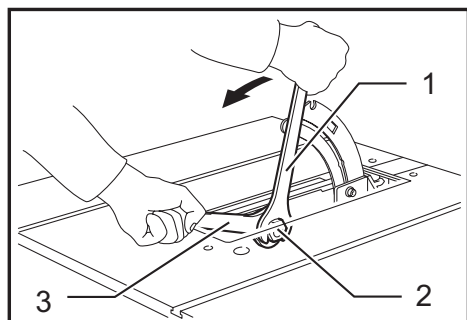
- Avant d'effectuer toute intervention sur l'outil, assurez-vous toujours qu'il est hors tension et débranché.

La lame ainsi que le protecteur de lame ne sont pas installés sur l'outil lorsqu'ils sont expédiés de l'usine.

Pose et retrait de la lame de scie

⚠ MISE EN GARDE :

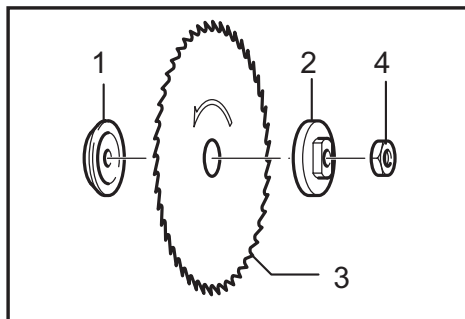
- Assurez-vous toujours que l'outil est hors tension et débranché avant de poser ou de retirer la lame.
- Utilisez exclusivement la clé à douille Makita fournie pour poser ou retirer la lame. Sinon, le boulon hexagonal risque d'être trop ou pas assez serré. Cela peut entraîner une blessure.



- 1. Clé 2. Écrou hexagonal 3. Clé coudée

Retirez la fiche de la table. Immobilisez le flasque extérieur au moyen de la clé coudée et desserrez l'écrou hexagonal avec la clé en tournant dans le sens inverse des aiguilles d'une montre. Retirez ensuite le flasque extérieur.

Montez le flasque intérieur, la lame, le flasque extérieur et l'écrou hexagonal sur l'arbre, en vous assurant que les dents de la lame pointent vers le bas à l'avant de la table. Posez toujours l'écrou hexagonal en orientant sa face enfoncée vers le flasque extérieur.

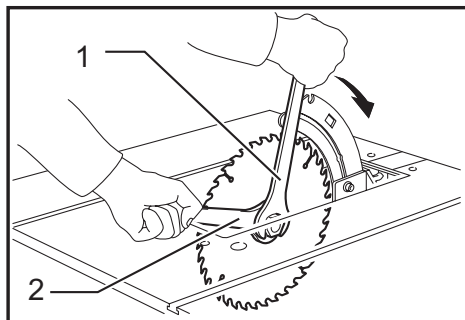


- 1. Bague interne 2. Bague externe 3. Lame 4. Écrou hexagonal

⚠ ATTENTION :

- Gardez la surface du flasque propre en essuyant les saletés ou autres matières adhérentes ; cela peut causer le glissement de la lame. Assurez-vous que la lame est installée de sorte que les dents soient alignées dans le sens de la coupe (rotation).

Pour installer fermement la lame en place, immobilisez le flasque extérieur à l'aide de la clé coudée, puis serrez l'écrou hexagonal en le tournant dans le sens des aiguilles d'une montre avec la clé. VOUS DEVEZ SERRER L'ÉCROU HEXAGONAL FERMEMENT.



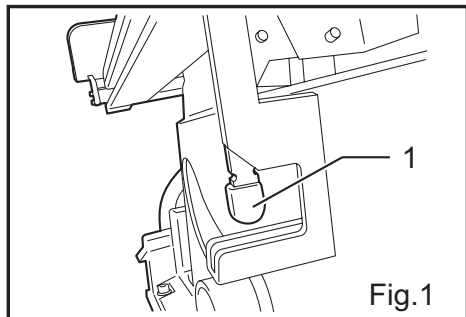
- 1. Clé 2. Clé coudée

⚠ ATTENTION :

- Vous devez tenir l'écrou hexagonal avec précaution à l'aide de la clé. Si vous preliez prise la clé risquerait de s'écarter de l'écrou hexagonal et votre main pourrait frapper contre le tranchant de la lame.

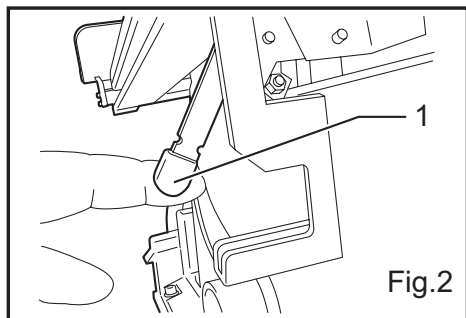
Positionnement du couteau diviseur/séparateur

1. Repérez le levier de dégagement du couteau diviseur/séparateur situé à l'arrière de la scie circulaire à table (figure 1).



- 1. Levier de dégagement du couteau diviseur/séparateur

2. Tirez le levier de dégagement du couteau diviseur/séparateur jusqu'à ce qu'il s'arrête (figure 2). Cette action permettra de libérer le couteau diviseur/séparateur afin de pouvoir le positionner.



- 1. Tirez sur le levier de dégagement du couteau diviseur/séparateur

3. Lorsque le levier de dégagement est tiré, déplacez manuellement le couteau diviseur/séparateur vers le haut ou vers le bas jusqu'à la position souhaitée. Une fois que le couteau diviseur/séparateur est mobile, dégagez le levier et continuez à déplacer le couteau diviseur/séparateur jusqu'à la prochaine configuration et il se verrouillera automatiquement en position. Il est possible de verrouiller le couteau diviseur/séparateur à trois positions (figures 3 à 5 ci-dessus).

Les trois positions de fonctionnement du couteau diviseur/séparateur

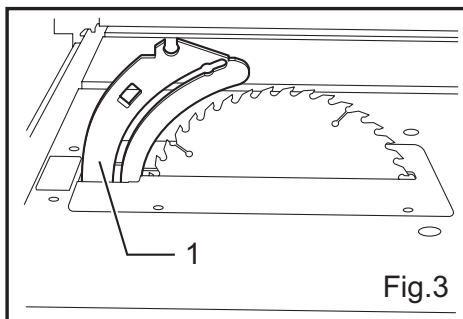
Position Séparateur

⚠ MISE EN GARDE :

- Cette position est utilisée pour les opérations de sciage de part en part. Les protecteurs doivent toujours être utilisés pour ce type d'opération. L'exécution d'un sciage de part en part sans l'utilisation adéquate des protecteurs peut provoquer des accidents corporels graves.

Il est possible de préparer le couteau diviseur/séparateur à l'installation des protecteurs en le positionnant à la hauteur ajustable maximale (figure 3). À cette position, on soulève le dispositif au-dessus de la lame de manière à ce que le protecteur puisse être installé et rendu opérationnel. Assurez-vous que le levier de dégagement situé à l'arrière de la scie circulaire à table soit retourné à la position (figure 1). Avant d'installer le protecteur, assurez-vous de vérifier si le couteau diviseur/séparateur se trouve en position verrouillée en tirant et en poussant sur le dispositif afin de vérifier qu'il ne bouge pas.

Position Séparateur



- 1. Couteau diviseur/séparateur en position Séparateur

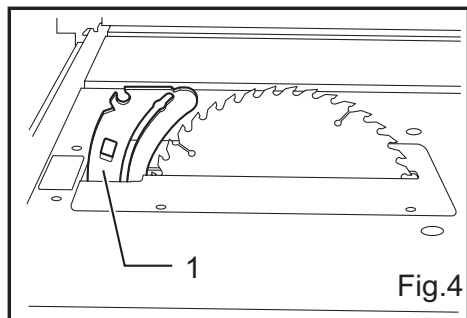
Position Couteau diviseur

⚠ MISE EN GARDE :

- N'utilisez jamais la scie lorsque le protecteur est installé sur le couteau diviseur/séparateur quand il est en position Couteau diviseur. Le protecteur pourrait interférer avec l'alimentation de la pièce, ce qui pourrait provoquer un choc en retour et des blessures graves.

Il est possible de verrouiller le couteau diviseur/séparateur à une hauteur tout juste au-dessus de la partie supérieure de la lame (figure 4). Généralement, on utilise cette position pour effectuer un sciage partiel sans le protecteur, par exemple pour la découpe d'une feuillure ou d'une rainure. Assurez-vous que le levier de dégagement situé à l'arrière de la scie circulaire à table soit retourné à la position (figure 1). Avant d'utiliser l'outil, assurez-vous de vérifier si le couteau diviseur/séparateur se trouve en position verrouillée en tirant et en poussant sur le dispositif afin de s'assurer qu'il ne bouge pas.

Position Couteau séparateur

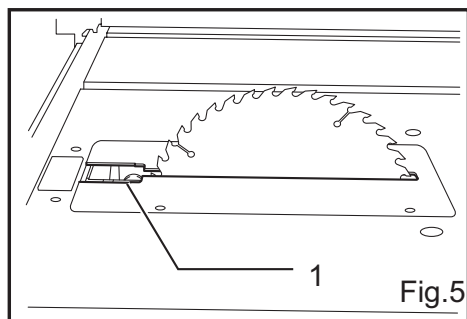


- 1. Couteau diviseur/séparateur en position Couteau diviseur

Position Dado

Le couteau diviseur/séparateur peut être positionné et verrouillé tout juste au-dessus de la table, derrière la lame (figure 5). Cette position est utile uniquement lors de la réalisation d'engravures avec une lame de type dado. On peut obtenir une plus grande facilité d'exécution en tirant le levier de dégagement du couteau diviseur/séparateur. Le dispositif s'ajustera automatiquement sur la table afin de fournir une emprise facile sur le dispositif pour pouvoir le tirer vers le haut depuis le bas de la table et le déplacer dans la prochaine position souhaitée.

Position Dado



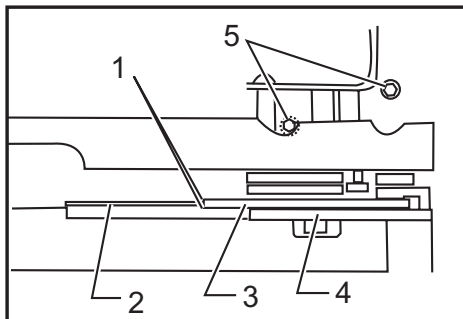
- 1. Couteau diviseur/séparateur en position Dado

Alignement du couteau diviseur/séparateur

⚠ MISE EN GARDE :

- Assurez-vous toujours que la lame est correctement alignée avec le couteau diviseur/séparateur. Si la lame et le couteau diviseur/séparateur ne sont pas alignés, il pourrait se produire un problème d'alimentation et/ou le coinçage de la pièce, qui à son tour provoqueraient une situation de choc en retour pouvant causer des blessures graves.
- Ne faites JAMAIS aucun réglage lorsque l'outil fonctionne. Débranchez toujours l'outil avant de procéder à des réglages. Un démarrage accidentel de l'outil pourrait provoquer des blessures graves.

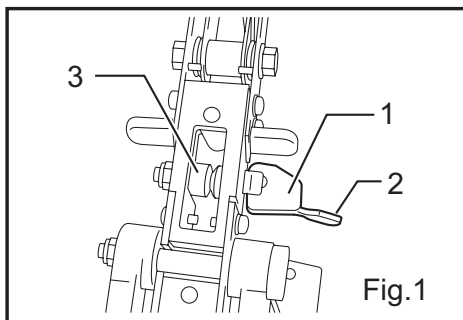
Le réglage du couteau diviseur/séparateur est fait en usine afin que la lame et le couteau diviseur/séparateur soient alignés correctement. Cependant, si la lame et le couteau diviseur/séparateur se désalignent, il est possible de corriger la situation, mais il faut d'abord débrancher l'outil afin d'éviter un démarrage accidentel. On doit ensuite desserrer les boulons hexagonaux 5 à l'aide de la clé fournie à cet effet. Lorsque les boulons sont desserrés, réglez le couteau diviseur/séparateur afin qu'il soit aligné directement derrière la lame tout en conservant un espace équivalent de chaque côté du couteau diviseur/séparateur par rapport à la lame 1. Une fois que le couteau diviseur/séparateur est positionné correctement, fixez le montage en serrant les boulons hexagonaux 5.



- 1. Ces deux espaces libres doivent être égaux
2. Fer 3. Couteau diviseur/séparateur 4. Plaque de pression 5. Boulons hexagonaux

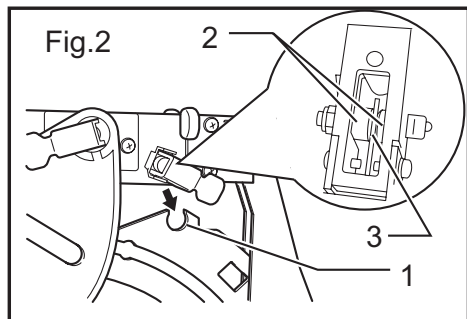
Installation ou enlèvement du protecteur de lame

1. Déverrouillez la broche du levier de verrouillage du protecteur de lame en soulevant la languette du levier de verrouillage, comme illustré dans la figure 1.



- 1. Levier de verrouillage en position déverrouillée
2. Languette de levier de verrouillage 3. Broche de levier de verrouillage

2. Pour une installation facile du protecteur, réglez la scie circulaire à table afin d'obtenir une profondeur de coupe maximale. Lorsque le levier de verrouillage est déverrouillé, comme dans la figure 1, positionnez la rainure centrale de la broche du levier de verrouillage dans l'encoche du couteau diviseur/séparateur, comme illustré dans la figure 2.

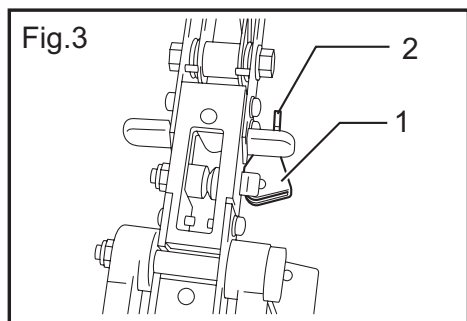


- 1. Encoche du couteau diviseur /séparateur pour verrouiller la rainure centrale de la broche du levier de verrouillage 2. Douille de la broche du levier de verrouillage 3. Rainure centrale de la broche du levier de verrouillage

3. Une fois que la broche du levier de verrouillage est placée dans l'encoche du couteau diviseur/séparateur on peut la verrouiller en appuyant sur la languette du levier de verrouillage en position verrouillée, comme illustré dans la figure 3. Une fois que le levier de verrouillage est en position verrouillé, vérifiez si le protecteur est correctement fixé au couteau diviseur/séparateur en tirant sur le protecteur afin de vous assurer qu'il ne change pas de position.

▲ MISE EN GARDE :

- **Assurez-vous toujours que le protecteur est bien fixé au couteau diviseur/séparateur avant de démarrer la scie.** Si la fixation du protecteur est inadéquate, cela pourrait faire en sorte que la lame entre en contact avec le protecteur et cause des blessures graves.



- 1. Levier de verrouillage en position verrouillée
2. Languette de levier de verrouillage

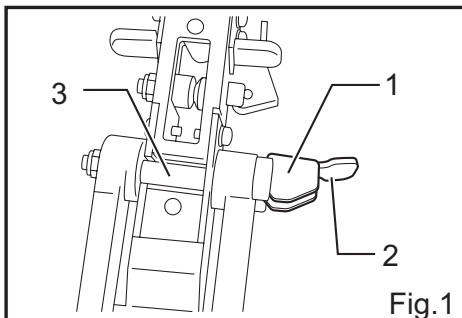
Pour enlever le protecteur pour les opérations de sciage partiel, faites les étapes 1 à 3 ci-dessus dans l'ordre inverse.

Installation des protecteurs latéraux sur le protecteur de lame

▲ MISE EN GARDE :

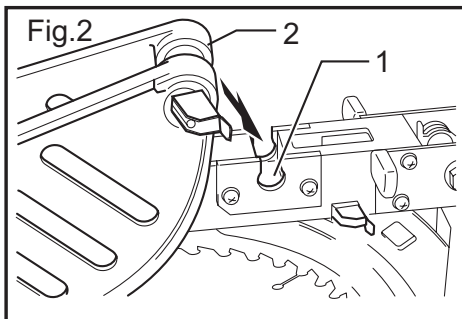
- **Le protecteur de lame et les protecteurs latéraux doivent être utilisés uniquement avec le couteau diviseur/séparateur en position Séparateur afin d'éviter une interférence du protecteur avec les pièces.** Il est possible que l'utilisation du protecteur lorsque le couteau diviseur/séparateur est en position Couteau diviseur cause une interférence avec la pièce provoquant un choc en retour et une possibilité de blessures graves.

1. Déverrouillez la broche du levier de verrouillage du protecteur latéral en soulevant la languette du levier de verrouillage, comme illustré dans la figure 1.



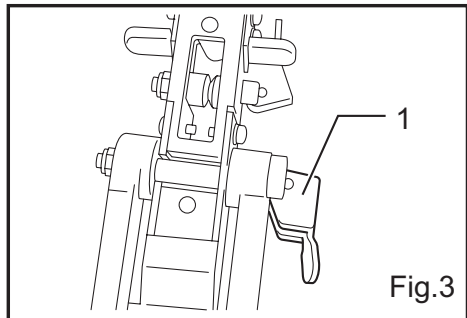
- 1. Levier de verrouillage des protecteurs latéraux en position déverrouillée 2. Languette de levier de verrouillage des protecteurs latéraux 3. Broche de levier de verrouillage des protecteurs latéraux

2. Lors que la broche du levier de verrouillage est en position verrouillée, insérez la broche dans l'encoche du protecteur de lame, comme illustré dans la figure 2.



- 1. Encoche du protecteur de lame 2. Placez la broche du levier de verrouillage dans l'assemblage du protecteur de lame

3. Une fois que la broche du levier de verrouillage est placée dans l'encoche du protecteur de lame, on doit procéder au verrouillage en appuyant sur la languette du levier de verrouillage de la broche, comme illustré dans la figure 3.



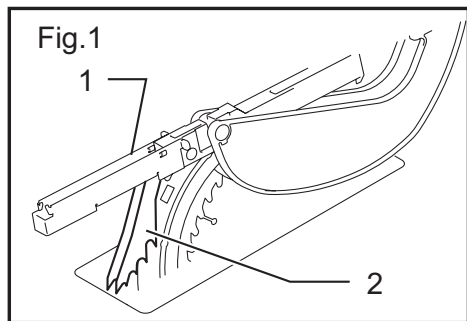
- 1. Levier de verrouillage en position verrouillée

Pour enlever le protecteur pour les opérations de sciage partiel, faites les étapes 1 à -3 ci-dessus dans l'ordre inverse.

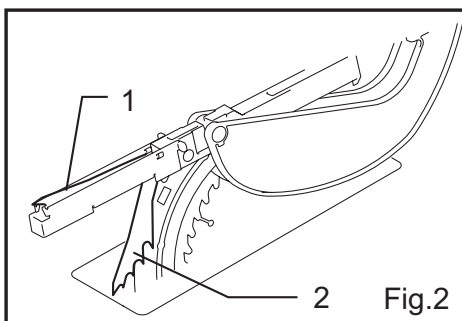
Utilisation des dispositifs anti-choc en retour

⚠ MISE EN GARDE :

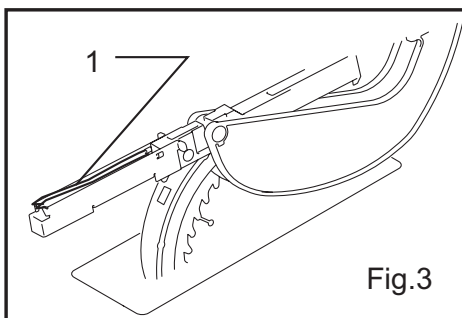
- **Utilisez les dispositifs anti-choc en retour chaque fois que cela est possible durant les opérations de sciage de part en part.** Ceci vous aidera à éviter que le matériau soit repoussé vers l'opérateur lors d'un choc en retour et ainsi éviter des blessures sérieuses.



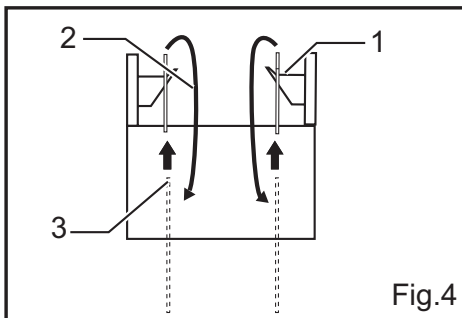
- 1. Le protecteur de lame 1 comprend deux dispositifs anti-choc en retour 2. Les dispositifs se trouvent de chaque côté de la lame et ils peuvent être rangés ou mis en fonction de manière indépendante pour plus de commodité.



- 1. L'élément 1 représente le dispositif anti-choc en retour du côté droit de la lame en train d'être positionné dans le support situé à l'arrière du protecteur de lame. 2. Quant à lui, l'élément 2 montre le dispositif anti-choc en retour du côté gauche de la lame demeurant en position de fonctionnement.

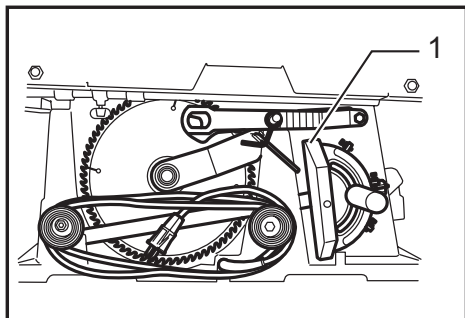


- 1. L'élément 1 représente les deux dispositifs anti-choc en retour que l'on positionne dans les supports situés à l'arrière du protecteur de lame pour les ranger

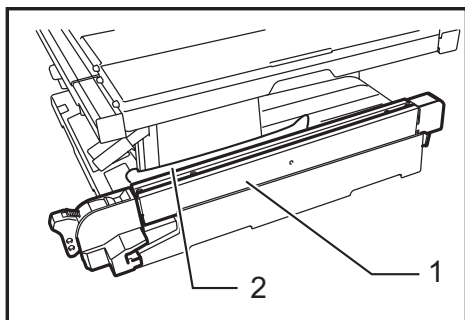


- 1. L'élément 1 montre l'emplacement des supports des dispositifs anti-choc en retour situés à l'arrière du protecteur de lame. 2. L'élément 2 montre les flèches qui indiquent la direction vers laquelle déplier les dispositifs au moment de les mettre en fonction. 3. L'élément 3 montre la direction vers laquelle les dispositifs doivent être soulevés lors de leur rangement dans les supports

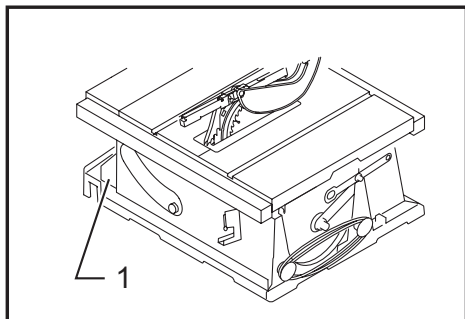
Rangement des protecteurs de lame et des accessoires



► 1. Guide d'onglet



► 1. Garde parallèle 2. Bâton-poussoir



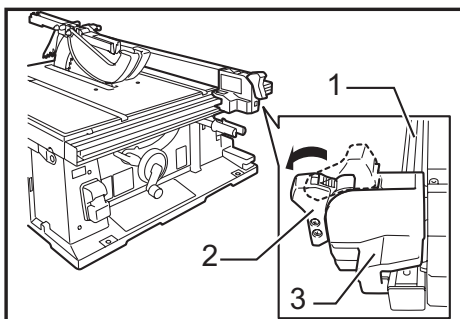
► 1. Protecteur de lame de la scie circulaire à table et rangement des protecteurs latéraux

Il est possible de ranger le guide d'onglet et les clés du côté gauche de la base, et le garde parallèle du côté droit de la base. L'assemblage du protecteur et les protecteurs latéraux peuvent être rangés de manière indépendante dans la poche située du côté droit de la base.

Installation et réglage du garde parallèle

⚠ MISE EN GARDE :

- Assurez-vous toujours que l'outil est arrêté et débranché avant d'installer et de régler le garde parallèle.



► 1. Rail-guide 2. Bouton 3. Crochet

1) Encastrez le crochet sur la pointe du guide de coupe dans la glissière de guidage extrême, sur la table ou sous-table (R). Puis installez et poussez le guide de coupe jusqu'à ce que le support de guidage s'enclenche dans la glissière de guidage la plus proche.

Pour faire coulisser le guide de coupe sur la glissière de guidage de biais, faites tourner la poignée sur le support de guidage à mi-chemin de son déplacement. Pour fixer le garde parallèle, tournez complètement le bouton du porte-garde.

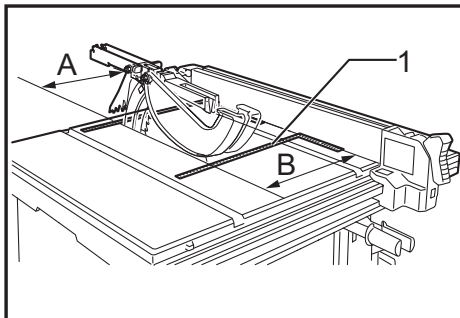
2) Pour faire coulisser le guide de coupe sur la glissière de guidage de biais, retournez la poignée complètement sur le support de guidage, sans tirer le levier sur la poignée.

3) Pour le libérer, tirez le levier sur la poignée et faites tourner la poignée complètement vers l'avant pendant que vous tirez le levier.

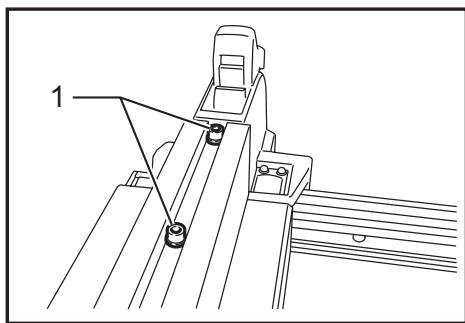
Pour vous assurer que le garde parallèle est parallèle à la lame, fixez-le à 2 ou 3 mm (5/64 po à 1/8 po) de la lame.

Soulevez la lame jusqu'à l'élévation maximale. Marquez une des dents de la lame avec un crayon.

Mesurez la distance (A) et la distance (B) entre le garde parallèle et la lame. Effectuez ces deux mesures avec la dent marquée au crayon. Ces deux mesures doivent être identiques. Si le garde parallèle n'est pas parallèle à la lame, procédez comme suit :

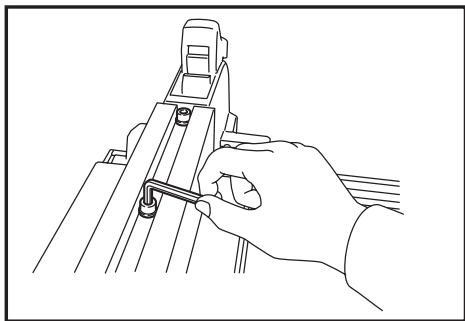


► 1. Échelle



► 1. Boulons hexagonaux

1. Mettez le guide de coupe dans la position coulissante.
2. Avec la clé hexagonale fournie, desserrez les deux boulons hexagonaux du garde-parallèle.
3. Ajustez le garde parallèle jusqu'à ce qu'il soit parallèle à la lame.
4. Tournez en bas la poignée sur le guide de coupe vers l'opérateur.
5. Serrez les deux boulons hexagonaux du garde parallèle.

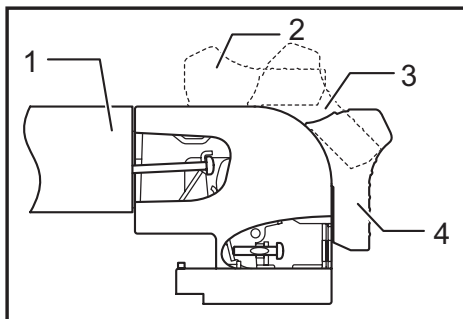


▲ MISE EN GARDE :

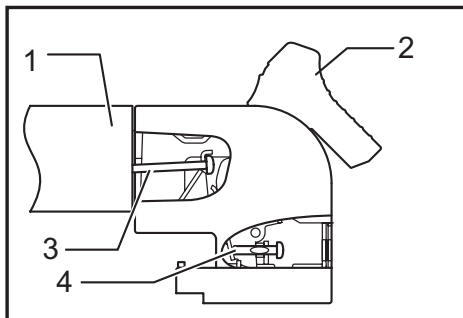
- Vous devez régler le garde parallèle de sorte qu'il soit parallèle à la lame, autrement il y a risque de dangereux choc en retour.

S'il n'est pas possible de fixer le garde parallèle solidement, procédez comme suit pour le régler.

- (1) Installez le garde parallèle sur la table et faites pivoter le bouton à mi-chemin de sa rotation. Serrez la vis (A) jusqu'à ce que le garde soit immobile. Puis, desserrez de 1/4 à 1/2 tour.



► 1. Garde parallèle 2. Position ouverte 3. Position de déplacement 4. Position de verrouillage



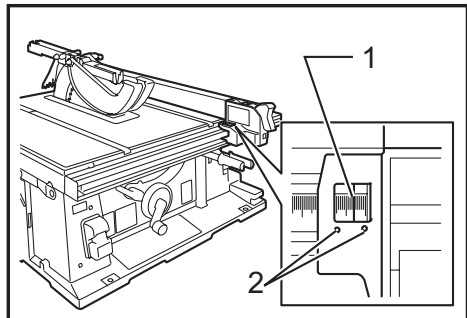
► 1. Garde parallèle 2. Position de déplacement 3. Vis (B) 4. Vis (A)

- (2) Serrez la vis (B) complètement puis desserrez-la d'environ deux tours.
- (3) Verrouillez le garde parallèle en tournant complètement le bouton sur le porte-garde (position de verrouillage).
- (4) Assurez-vous que le garde parallèle peut être installé et remis en position initiale (position libérée).
- (5) Assurez-vous que le garde parallèle peut être glissé facilement lorsque le bouton est tourné à mi-chemin.

▲ ATTENTION :

- Prenez soin de ne pas serrer les vis avec plus de force que celle indiquée dans les instructions ci-dessus. Dans le cas contraire, les pièces attachées pourraient être endommagées.

Déplacez le garde parallèle pour qu'il soit parfaitement ajusté contre le côté de la lame. Assurez-vous que le guide du porte-garde indique 0 sur l'échelle. Si le guide n'indique pas 0 sur l'échelle, desserrez la vis du secteur angulaire et ajustez ce dernier.



► 1. Guide 2. Vis

UTILISATION

ATTENTION :

- Utilisez toujours des dispositifs tels que bâtons-poussoirs et blocs-poussoirs lorsque vos mains ou doigts courent le risque de se trouver près de la lame pendant le sciage.
- Tenez toujours la pièce fermement avec la table et le garde parallèle ou le guide d'onglet. Évitez de la plier ou de la tordre pendant la progression de l'outil. Si la pièce se plie ou se tort, il y a risque de choc en retour dangereux.
- NE JAMAIS retirer la pièce pendant que la lame tourne. Si vous devez retirer la pièce avant d'avoir terminé la coupe, coupez d'abord le contact de l'outil sans cesser de tenir la pièce fermement. Attendez que la lame se soit complètement arrêtée avant de retirer la pièce. Autrement il y a risque de choc en retour dangereux.
- NE JAMAIS retirer le matériau coupé pendant que la lame tourne.
- NE JAMAIS placer les doigts ou la main dans la trajectoire de la lame. Soyez tout particulièrement prudent lors des coupes en biseau.
- Immobilisez toujours le garde parallèle fermement, autrement il y a risque de choc en retour dangereux.
- Utilisez toujours des "dispositifs d'aide" tels que bâtons-poussoirs et blocs-poussoirs lorsque vous coupez des pièces petites ou étroites, ou lorsque le Dado n'est pas visible pendant la coupe.

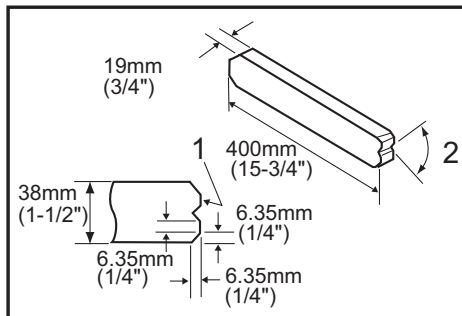
Dispositifs d'aide

Les bâtons-poussoirs, les blocs-poussoirs et le garde auxiliaire sont autant de types de "dispositif d'aide". Utilisez-les pour effectuer vos coupes de manière sûre et en toute sécurité, sans avoir à toucher la pièce avec une partie quelconque du corps.

NOTE :

- Pour une plus grande commodité, un bâton-poussoir est inclus.

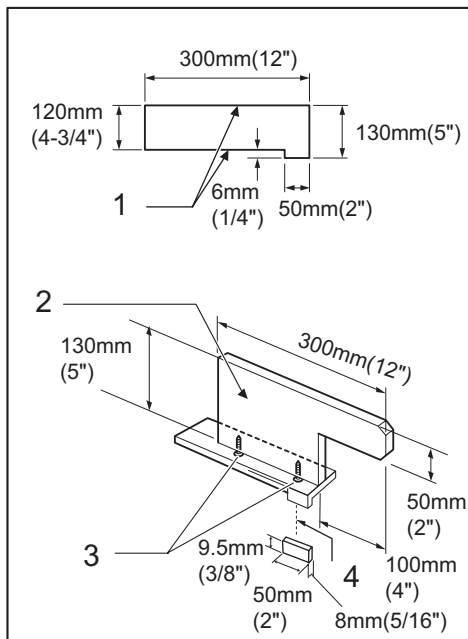
Bâton-poussoir



► 1. Extrémité de la pièce 2. Encoche à 45°

Fabriquez le bâton-poussoir à l'aide d'une pièce de 1 po x 2 po, comme illustré dans la figure.

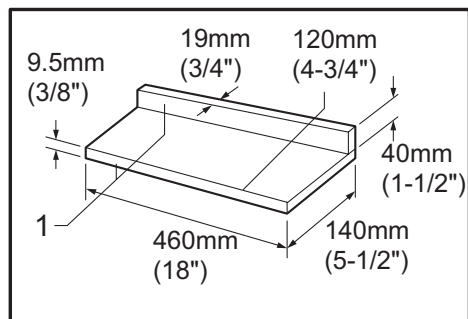
Bloc-poussoir



► 1. Face/bord parallèle 2. Manche 3. Vis à bois 4. Coller ensemble

Utilisez une pièce de contreplaqué de 19 mm (3/4 po). La poignée doit se trouver au centre de la pièce de contreplaqué. Collez avec de la colle et des vis à bois, tel qu'illustré. Il faut toujours coller des petites pièces de bois de 9.5 mm x 8 mm x 50 mm (3/8 po x 5/16 po x 2 po) sur la pièce pour éviter que la lame ne s'émousse si vous coupez par erreur dans le bloc-poussoir. (Le bloc-poussoir doit toujours être exempt de clous.)

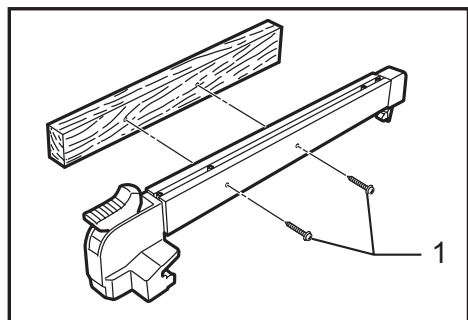
Garde auxiliaire



► 1. Face/bord parallèle

Utilisez des pièces de contreplaqué de 9.5 mm (3/8 po) et 19 mm (3/4 po) pour fabriquer votre garde auxiliaire.

Parement de bois (garde parallèle)



► 1. Vis à bois no 10 (assez longues pour pénétrer de moitié le parement)

Un parement de bois doit être utilisé pour les coupes au cours desquelles la lame se rend près du garde parallèle. Le parement de bois utilisé avec le garde parallèle doit être de la même dimension que ce dernier. Assurez-vous que la face inférieure du parement est bien à plat sur la surface de la table.

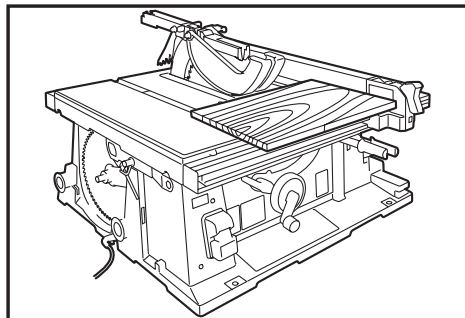
Sciage en long

⚠ ATTENTION :

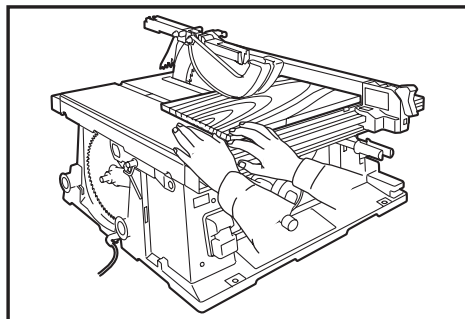
- Pour le sciage en long, retirez le guide d'onglet de la table.
- Lorsque vous coupez des pièces longues ou larges, installez toujours des dispositifs de soutien adéquats sous la table. NE PAS laisser un long panneau se déplacer ou bouger librement sur la table. La lame se coincerait et les risques de choc en retour et de blessure augmenteraient. Le dispositif de soutien doit être de la même hauteur que la table.

Avant d'utiliser la scie circulaire à table, assurez-vous que les cliquets de prévention des chocs en retour fonctionnent bien. Arrêtez l'outil et débranchez-le. Introduisez la pièce à couper sous le protecteur de lame et le long des deux côtés de la lame pour simuler une coupe. Essayez de retirer la pièce par chacun des côtés en la tirant vers vous. Les cliquets de prévention des chocs en retour doivent saisir la pièce et l'empêcher de reculer vers vous. Maintenez toujours les cliquets de prévention des chocs en retour bien aiguisés pour qu'ils fonctionnent correctement. Pour les affûter et maintenir leur forme originale, utilisez une lime ronde.

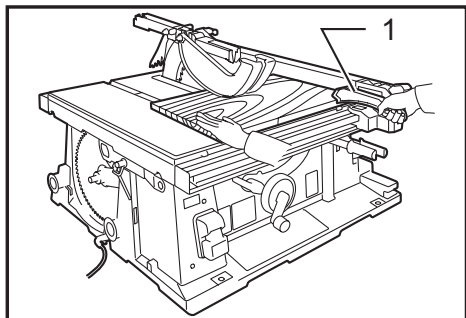
1. Réglez la profondeur de coupe un peu plus haut que l'épaisseur de la pièce.



2. Placez le garde parallèle sur la largeur de coupe désirée et verrouillez-le en place en tournant la poignée. Avant de procéder à la coupe en long, assurez-vous que l'extrémité arrière du garde parallèle est fermement serrée. Si elle n'est pas assez serrée, suivez la procédure décrite à la section intitulée "Installation et réglage du garde parallèle".
3. Mettez le contact et faites avancer doucement la pièce vers la lame le long du garde parallèle.
 - (1) Si la coupe est d'une largeur de 150 mm (6 po) ou plus, utilisez prudemment votre main droite pour faire progresser la pièce. Utilisez la main gauche pour maintenir la pièce appuyée contre le garde parallèle.

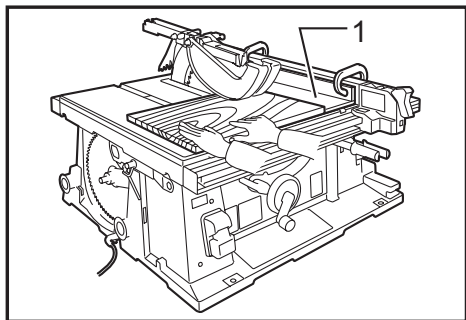


- (2) Si la largeur de coupe est de 65 mm à 150 mm (2-1/2 po à 6 po) utilisez le bâton-poussoir pour faire avancer la pièce.



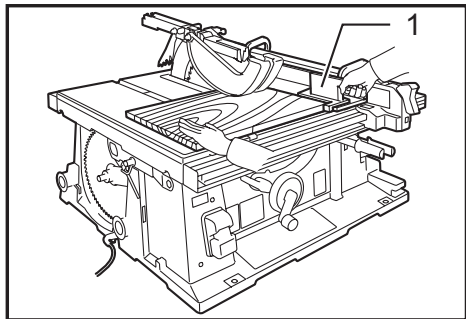
► 1. Bâton-poussoir

- (3) Si la largeur de coupe est inférieure à 65 mm (2-1/2 po), il n'est pas possible d'utiliser le bâton-poussoir puisqu'il frappera contre le protecteur de lame. Utilisez le garde auxiliaire et le bloc-poussoir. Fixez le garde auxiliaire au garde parallèle avec deux dispositifs de serrage "C".



► 1. Garde auxiliaire

Faites avancer la pièce avec la main jusqu'à ce que le bout se trouve à environ 25 mm (1 po) du bord avant de la table. Continuez de la faire avancer avec le bloc-poussoir sur la partie supérieure du garde auxiliaire jusqu'à ce que la coupe soit terminée.



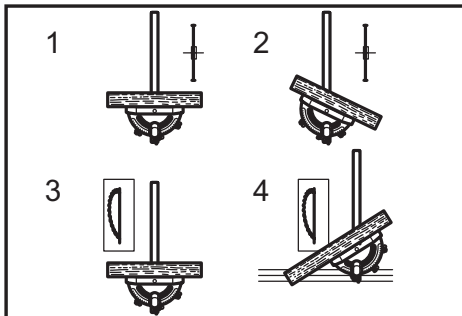
► 1. Bloc-poussoir

Coupe en travers

⚠ ATTENTION :

- Pour effectuer une coupe en travers, retirez le garde parallèle de la table.
- Pour couper des pièces longues ou larges, installez toujours des dispositifs de soutien adéquats des deux côtés de la table. Le dispositif de soutien doit être de la même hauteur que la table.
- Maintenez toujours les mains à l'écart de la trajectoire de la lame.

Guide d'onglet



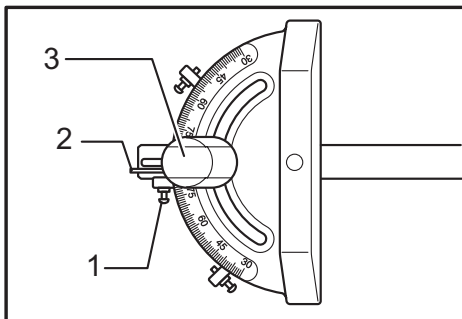
► 1. Coupe en travers 2. Onglet 3. Coupe en biseau 4. Onglet mixte (angles)

Utilisez le guide d'onglet pour les 4 types de coupe indiqués sur l'illustration.

⚠ ATTENTION :

- Serrez doucement le bouton du guide d'onglet.
- Évitez que la pièce et le guide ne bougent en tenant fermement la pièce et le guide, plus particulièrement lorsque vous sciez en angle.
- NE JAMAIS tenir ou saisir la pièce par la partie qui se détachera lors de la coupe.

Butée fixe du guide d'onglet

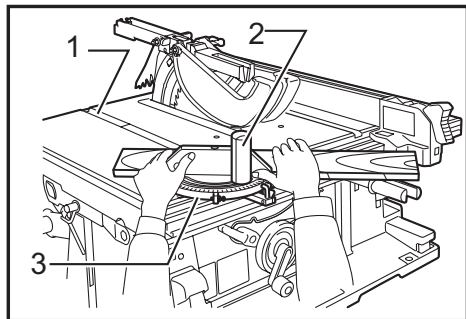


► 1. Bouton 2. Petite plaque 3. Vis de butée fixe

Le guide d'onglet est équipé de butées fixes sur les angles de 90° et 45° de droite et de gauche pour permettre le réglage rapide des coupes d'onglet.

Pour régler l'angle de coupe d'onglet, desserrez le bouton du guide d'onglet. Soulevez la petite plaque du guide d'onglet pour pouvoir le régler librement. Tournez le guide d'onglet sur l'angle de coupe d'onglet désiré. Remettez en place la petite plaque du guide d'onglet et serrez le bouton fermement en tournant dans le sens des aiguilles d'une montre.

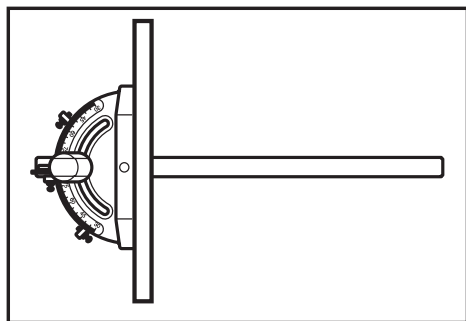
Utilisation du guide d'onglet



► 1. Rainure 2. Bouton 3. Guide d'onglet

Glissez le guide d'onglet dans les rainures épaisses de la table. Desserrez le bouton du guide et alignez ce dernier sur l'angle désiré (0° à 60°). Alignez parfaitement le matériau contre le garde et faites-le avancer doucement vers la lame.

Parement de bois auxiliaire (guide d'onglet)



Pour empêcher le sautilllement des longs panneaux, installez le guide d'onglet avec un panneau en guise de garde auxiliaire. Percez des trous pour le serrer avec les boulons/écrous, en prenant soin qu'ils ne dépassent pas de la surface du panneau.

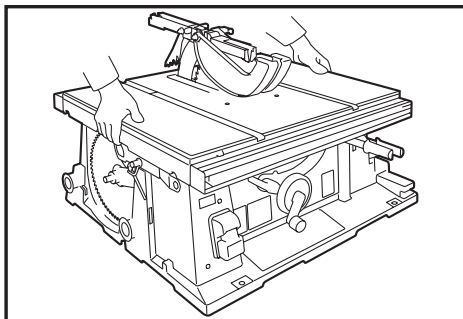
Sciage partiel

Arrêtez l'outil et débranchez-le avant tout réglage. Enlevez le protecteur de lame du couteau diviseur/séparateur. Réglez le couteau diviseur/séparateur à la POSITION COUTEAU DIVISEUR selon les instructions précédente fournies par ce manuel. Avant de faire un sciage de part en part, réglez le couteau diviseur/séparateur à la position Séparateur et installez préalablement le protecteur de lame et les protecteurs latéraux.

⚠ MISE EN GARDE :

- Des blessures graves peuvent résulter d'un sciage de part en part si les protecteurs adéquats n'ont pas été installés.

Transport de l'outil



Pour transporter l'outil, saisissez-le par la partie indiquée sur l'illustration.

ENTRETIEN

⚠ MISE EN GARDE :

- Pour une inspection ou un entretien, l'outil doit être arrêté et débranché.

AVIS : N'utilisez jamais d'essence, de benzine, de solvant, d'alcool ou autres produits similaires. Une décoloration, une déformation ou la formation de fissures peuvent en découler.

Nettoyage

Enlevez la sciure de bois et les copeaux régulièrement. Nettoyez consciencieusement le protecteur de lame et les pièces mobiles à l'intérieur de la scie circulaire à table.

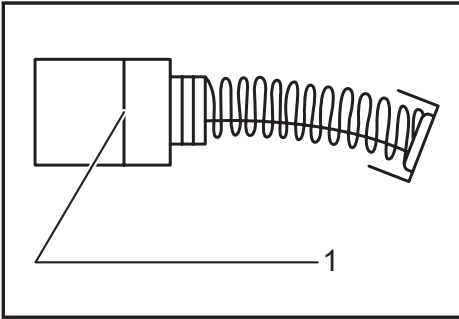
Lubrification

Pour maintenir la scie circulaire à table en parfait état et pour lui assurer une durée de vie maximale, lubrifiez ou graissez de temps à autre les pièces mobiles et les pièces rotatives.

Points à lubrifier :

- Arbre fileté pour l'élévation de la lame
- Articulation pour faire pivoter le cadre
- Arbres de guidage d'élévation sur le moteur
- Engrenage pour l'élévation de la lame
- Rail-guide du garde parallèle
- Arbre des leviers de verrouillage de la table auxiliaire (R)
- Partie coulissante de la table auxiliaire (R)

Remplacement des charbons

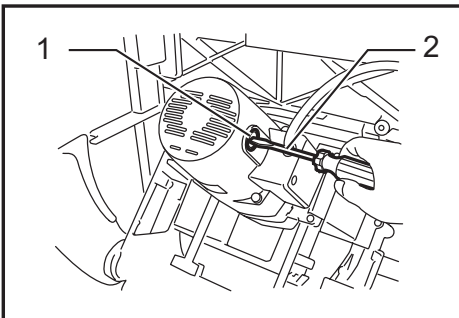


► 1. Trait de limite d'usure

Retirez et vérifiez régulièrement les charbons. Remplacez-les lorsqu'ils sont usés jusqu'au trait de limite d'usure. Maintenez les charbons propres et en état de glisser aisément dans les porte-charbon. Les deux charbons doivent être remplacés en même temps. N'utilisez que des charbons identiques.

Retirez les bouchons de porte-charbon à l'aide d'un tournevis. Pour remplacer les charbons, retirez le protecteur de lame et la lame puis desserrez le levier de verrouillage, inclinez la tête porte-scie et fixez-la sur l'angle de coupe en biseau de 45°. Faites doucement reposer l'outil sur lui-même vers l'arrière. Desserrez ensuite le bouchon de porte-charbon. Retirez les charbons usés, insérez les neufs et remettez en place les bouchons.

Après avoir remplacé les charbons, branchez l'outil et rodez les brosses en faisant fonctionner l'outil à vide pendant environ 10 minutes. Vérifiez ensuite le bon fonctionnement de l'outil, ainsi que l'activation du frein électrique lors du relâchement de la gâchette. Si le frein électrique ne fonctionne pas bien, faites une demande de réparation auprès du centre de service après-vente Makita le plus près.



► 1. Bouchon de porte-charbon 2. Tournevis

Pour maintenir la SÉCURITÉ et la FIABILITÉ du produit, les réparations, tout autre travail d'entretien ou de réglage doivent être effectués dans un centre de service Makita agréé ou un centre de service de l'usine Makita, exclusivement avec des pièces de rechange Makita.

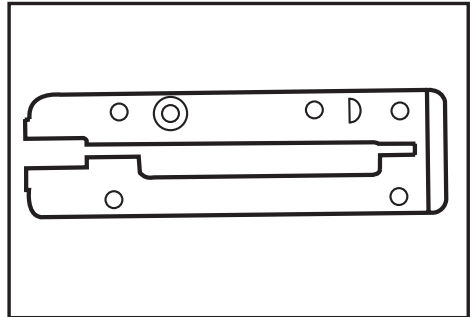
ACCESSOIRES EN OPTION

▲ MISE EN GARDE :

- Ces accessoires ou pièces complémentaires sont recommandés pour l'utilisation avec l'outil Makita spécifié dans ce mode d'emploi. L'utilisation de tout autre accessoire ou pièce complémentaire peut comporter un risque de blessure. N'utilisez les accessoires ou pièces qu'aux fins auxquelles ils ont été conçus.

Si vous désirez obtenir plus de détails concernant ces accessoires, veuillez contacter le centre de service après-vente Makita le plus près.

Fiche de table (No de pièce 317934-3)



Vous devez utiliser cette fiche de table pour les configurations de Dado.

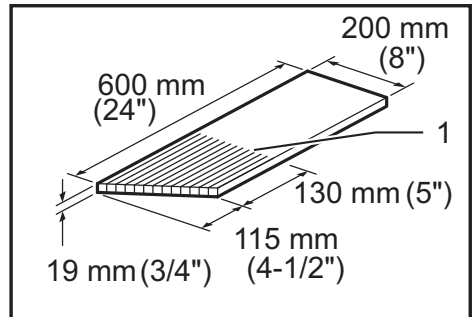
L'utilisation d'une fiche de table standard interfèrera avec l'utilisation du Dado.

Pour installer un Dado, procéder de la manière suivante.

1. Enlevez le protecteur de lame.
2. Enlevez la fiche de table standard.
3. Placez le couteau diviseur/séparateur dans la position Dado.
4. Installez le Dado conformément aux instructions du fabricant.

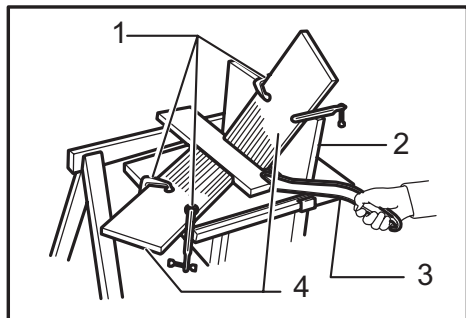
5. Placez la fiche sur la table pour l'engravure.

Lors du lambrissage, utilisez des presseurs. Le schéma indique les dimensions pour la fabrication d'un presseur ordinaire. Il doit être fait avec une pièce de bois droite et exempte de noeuds et fentes.



- 1. Le trait de scie doit être éloigné d'environ 6 mm (1/4")

Les presseurs servent à garder la pièce en contact avec le garde parallèle et la table, tel qu'illustré, et pour empêcher les chocs en retour.



► 1. Dispositifs de serrage C 2. Planche de garnissage 3. Bâton-poussoir 4. Presseur

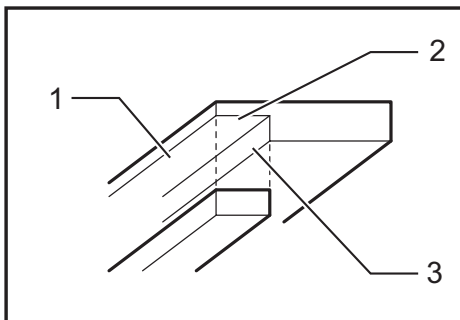
Pour installer les presseurs, procédez comme suit :

6. Arrêtez l'outil et débranchez-le.
7. Ajoutez tout le long du garde parallèle une planche de garnissage plate d'une hauteur de 8 po.
8. Montez les presseurs sur le garde parallèle et la table de la façon indiquée, de sorte que les bords de guidage des presseurs soutiennent la pièce jusqu'à ce que la coupe soit terminée et que la pièce ait été poussée au-delà du couteau avec un bâton-poussoir.
9. Assurez-vous que les presseurs sont fermement fixés.

▲ MISE EN GARDE :

- N'utilisez pas de Dado d'une profondeur supérieure à 21 mm (13/16 po) ou de Dado de plus de 6 po de diamètre.
- Après une engravure, réglez TOUJOURS de manière adéquate le couteau diviseur/séparateur et remplacez le protecteur de lame et les protecteurs latéraux pour les sciages de part en part.
- N'essayez JAMAIS de faire des coupes en biseau lors du lambrissage.
- N'effectuez JAMAIS de lambrissage s'il y a des vibrations (du sautellement) ou si un son étrange est émis.
- Faites progresser la pièce lentement, tout spécialement lorsque vous pratiquez des rainures profondes ou larges, et lors du lambrissage. Pour pratiquer une coupe profonde, faites plusieurs passes sur la pièce plutôt qu'une seule coupe profonde ou large. La progression rapide ou subite de la pièce peut être dangereuse.
- Utilisez un bâton-poussoir. Lorsque le Dado n'est pas visible pendant la coupe, vos mains ne doivent jamais se trouver sur le matériau.
- Si l'outil se coince et que vous tentez de le dégager en le tirant vers vous, il risque d'être projeté vers l'arrière, ce qui est extrêmement dangereux. Vous devez toujours arrêter l'outil et attendre l'arrêt complet du Dado. Retirez ensuite simplement la pièce de bois.
- Soyez particulièrement prudent lorsque le protecteur est enlevé pour toute opération de sciage partiel comme les engravures, le refeuillement ou le dédoubleage. Réglez le couteau diviseur/séparateur et remplacez le protecteur de lame et les protecteurs latéraux.

Comment effectuer la feuillure



► 1. Feuillure 2. Deuxième coupe 3. Première coupe

1. Enlevez le protecteur de lame et réglez de manière adéquate le couteau diviseur/séparateur à la position Couteau diviseur.
2. Fixez le garde auxiliaire au garde parallèle pour les coupes à effectuer sur toute la longueur du matériau. Le parement doit être aussi haut que la largeur de la pièce. Ajustez le garde et la lame sur les dimensions désirées.
3. Première coupe : Maintenez la planche à plat sur la table comme pour une coupe en long ordinaire.
4. Deuxième coupe : Placez la pièce sur le côté. (Utilisez les presseurs, le bâton-poussoir, le bloc-poussoir, etc., avec prudence, en respectant les consignes de sécurité et directives qui s'appliquent à la coupe en long ou aux types de travaux de ce type.)
5. Pour la feuillure en extrémité, si la pièce est d'une largeur inférieure à 10-1/2 po, faites-la reposer à plat sur la table contre le guide d'onglet (avec le parement de bois). Le garde parallèle ne doit pas être utilisé.
6. Lors du passage d'une opération de feuillage à une opération de sciage de part en part, réglez le couteau diviseur/séparateur et installez le protecteur de lame et les protecteurs latéraux.

Ensemble de support à scie de table

Reportez-vous au mode d'emploi qui accompagne le support à scie de table.

- Lames à dents d'acier et de carbure de tungstène

Lames pour scie d'onglet / scie circulaire à table	Pour les coupes générales avec scie circulaire à table et scie d'onglet
Combinaison	Lame d'usage général pour effectuer rapidement et en douceur des coupes longitudinales, des coupes en travers et des coupes d'onglet.
Coupes en travers de précision	Pour des coupes propres et sans ponçage dans le sens opposé au grain.

- Table auxiliaire (L)
- Table auxiliaire (arrière)
- Garde parallèle
- Guide d'onglet
- Clé coudée 13-22
- Clé 19
- Clé hexagonale 5
- Plaque auxiliaire
- Ensemble de support
- Guide coulissant

NOTE : Certains éléments de la liste peuvent être inclus avec l'outil comme accessoires standards. Ils peuvent varier suivant les pays.

GARANTIE LIMITÉE MAKITA

Pour les conditions de garantie en vigueur qui s'appliquent à ce produit, veuillez vous reporter à la feuille de garantie en annexe. Si la feuille de garantie en annexe n'est pas disponible, reportez-vous aux détails de la garantie présentés sur le site Web de votre pays, ci-dessous.

États-Unis d'Amérique: www.makitatools.com

Canada: www.makita.ca

Autres pays: www.makita.com

ESPECIFICACIONES

Modelo		2705
Especificaciones eléctricas en México		120 V ~ 15 A 50/60 Hz
Orificio del eje		15,88 mm (5/8")
Diámetro del disco		255 mm (10")
Especificaciones relacionadas con la cuchilla para rajar	Espesor del cuerpo del disco	1,8 mm (1/16")
	Espesor de la cuchilla para rajar	2,3 mm (3/32")
	Diámetro del disco	Max.255 mm (10") - Min.250 mm (9-7/8")
	Ancho del corte	2,6 mm (3/32")
Capacidad máxima de corte	90°	91 mm (3-9/16")
	45°	63 mm (2-1/2")
Capacidad de ranurado		21 mm (13/16")
Revoluciones por minuto (r.p.m.)		4 800r/min
Tamaño de la mesa (La x An)		567 mm x (753 mm - 1 066 mm) 22-1/4" x (29-5/8" - 42")
Dimensiones (La x An x Al) con la mesa sin extender		678 mm x 766 mm x 344 mm (26-3/4" x 30-1/4" x 13-1/2")
Peso neto		29 kg (64 lbs)

• Debido a nuestro programa continuo de investigación y desarrollo, las especificaciones aquí dadas están sujetas a cambios sin previo aviso.

• Las especificaciones pueden ser diferentes de país a país.

Por su propia seguridad lea el Manual de Instrucciones

Antes de utilizar la herramienta
Guarde las instrucciones para referencia futura

PRECAUCIONES DE SEGURIDAD GENERALES

(Para todas las herramientas)


- CONOZCA SU HERRAMIENTA ELÉCTRICA.** Lea el manual del usuario atentamente. Conozca las aplicaciones y limitaciones de la herramienta, así como también los riesgos potenciales específicos propios de la misma.
- NO quite los protectores y manténgalos en buen estado de funcionamiento.**
- RETIRE LAS LLAVES DE AJUSTE Y DE APRIETE.** Adquiera el hábito de comprobar y ver que las llaves de ajuste y de apriete estén retiradas de la herramienta antes de ponerla en marcha.
- MANTENGA EL ÁREA DE TRABAJO LIMPIA.** Las áreas y bancos de trabajo desordenados y amontonados hacen que los accidentes sean propensos.
- NO LAS UTILICE EN AMBIENTES PELIGROSOS.** No utilice las herramientas eléctricas en lugares húmedos o mojados, ni las exponga a la lluvia. Mantenga el área de trabajo bien iluminada. No utilice la herramienta en presencia de líquidos o gases inflamables.
- MANTENGA ALEJADOS A LOS NIÑOS.** Todos los visitantes deberán ser mantenidos a una distancia segura del área de trabajo.
- MANTENGA EL TALLER A PRUEBA DE NIÑOS** con candados, interruptores maestros, o quitando las llaves de encendido.
- NO FORCE LA HERRAMIENTA.** La herramienta realizará la tarea mejor y de forma más segura a la potencia para la que ha sido diseñada.
- UTILICE LA HERRAMIENTA APROPIADA.** No force la herramienta ni los accesorios realizando con ellos un trabajo para el que no han sido diseñados.
- PÓNGASE INDUMENTARIA APROPIADA.** No se ponga ropa holgada, guantes, corbata, anillos, pulseras, ni otro tipo de alhajas que puedan engancharse en las partes móviles. Se recomienda utilizar calzado antiderrapante. Recójase el cabello o si lo tiene largo o cúbralo para su protección.
- UTILICE SIEMPRE GAFAS DE SEGURIDAD.** Utilice también careta contra el polvo si la operación de corte es polvorienta. Las gafas de uso diario para la vista sólo tienen lentes que pueden proteger contra pequeños impactos, NO son gafas de seguridad.
- SUJETE LA PIEZA DE TRABAJO.** Utilice mordazas o un tornillo de banco para sujetar la pieza de trabajo cuando resulte práctico. Es más seguro que utilizar la mano y además dispondrá de ambas manos para manejar la herramienta.
- NO UTILICE LA HERRAMIENTA DONDE NO ALCANCE.** Mantenga los pies sobre suelo firme y el equilibrio en todo momento.

14. **DÉ MANTENIMIENTO A SUS HERRAMIENTAS.** Mantenga las herramientas afiladas y limpias para obtener de ellas un mejor y más seguro rendimiento. Siga las instrucciones para lubricarlas y cambiar los accesorios.
15. **DESCONECTE LAS HERRAMIENTAS** antes de darles mantenimiento; cuando cambie accesorios tales como discos, brocas, cuchillas, y otros por el estilo.
16. **REDUZCA EL RIESGO DE PUESTAS EN MARCHA INVOLUNTARIAS.** Asegúrese de que el interruptor esté en posición desactivada antes de conectar la herramienta.
17. **UTILICE ACCESORIOS RECOMENDADOS.** Consulte el manual del propietario para ver los accesorios recomendados. La utilización de accesorios no apropiados podría ocasionar un riesgo de heridas a personas.
18. **NO SE PARE NUNCA ENCIMA DE LA HERRAMIENTA.** Si se tropieza y enciende la herramienta, o si se toca sin querer el disco de corte podrá ocasionar graves heridas.
19. **COMPRUEBE LAS PARTES DAÑADAS.** Si un protector u otra parte están dañados, antes de seguir utilizando la herramienta deberá verificarlos cuidadosamente para cerciorarse de que van a funcionar debidamente y realizar la función para la que han sido previstos - compruebe la alineación de las partes móviles, la sujeción de las partes móviles, si hay partes rotas, el montaje y cualquier otra condición que pueda afectar su operación. Un protector u otra parte que esté dañada deberá ser reparada o debidamente cambiada. Si el cordón de alimentación es dañado, éste deberá ser reemplazado por un cordón especial o ensamble disponible por parte del fabricante o su centro de servicio.
20. **DIRECCIÓN DE AVANCE.** Avance la pieza de trabajo hacia el disco o cuchilla solamente a contra dirección del giro de los mismos.
21. **NO DESCUIDE NI DEJE NUNCA LA HERRAMIENTA MIENTRAS ESTÉ EN MARCHA. DESCONECTE LA ALIMENTACIÓN.** No deje la herramienta hasta que haya detenido completamente.
22. **PIEZAS DE REPUESTO.** Cuando se dé el servicio a la herramienta (mantenimiento), utilice solamente piezas de repuesto idénticas.
23. **CLAVIJAS POLARIZADAS.** Para reducir el riesgo de descargas eléctricas, este equipo tiene una clavija polarizada (un borne es más ancho que el otro). Esta clavija encajará en una toma de corriente polarizada en un sentido solamente. Si la clavija no encaja totalmente en la toma de corriente, invierta la clavija. Si aún así no encaja, póngase en contacto con un electricista cualificado para que le instale la toma de corriente apropiada. No modifique la clavija de ninguna forma.

ADVERTENCIA SOBRE EL VOLTAJE: Antes de conectar la herramienta a una toma de corriente (receptáculo, fuente de alimentación, etc.), asegúrese de que la tensión suministrada es igual a la especificada en la placa de características de la herramienta. Una toma de corriente con un voltaje mayor que el especificado para la herramienta podrá resultar en **HERIDAS GRAVES** al usuario -así como también daños a la herramienta. Si no está seguro, **NO CONECTE LA HERRAMIENTA.** La utilización de una toma de corriente con una voltaje menor al nominal indicado en la placa de características es dañino para el motor.

UTILICE CABLES DE EXTENSIÓN APROPIADOS. Asegúrese de que su cable de extensión esté en buenas condiciones. Cuando utilice un cable de extensión, asegúrese de utilizar uno del calibre suficiente para conducir la corriente que demande el producto. Un cable de calibre inferior ocasionará una caída en la tensión de línea que resultará en una pérdida de potencia y sobrecalentamiento. La Tabla 1 muestra el tamaño correcto a utilizar dependiendo de la longitud del cable y el amperaje nominal indicado en la placa de características. Si no está seguro, utilice el siguiente calibre más potente. Cuanto menor sea el número de calibre, más potente será el cable.

Tabla 1. Calibre mínimo para el cable

Amperaje nominal		Volts	Longitud total del cable en metros			
		120 V 	7,6 m (25 ft)	15,2 m (50 ft)	30,4 m (100 ft)	45,7 m (150 ft)
Más de	No más de	Calibre del cable (AWG)				
0 A	6 A		18	16	16	14
6 A	10 A		18	16	14	12
10 A	12 A		16	16	14	12
12 A	16 A		14	12	No se recomienda	

NORMAS DE SEGURIDAD ADICIONALES

Advertencias y precauciones

NO DEJE que la comodidad o familiaridad con el producto (a base de utilizarlo repetidamente) sustituya la estricta observancia de las normas de seguridad para la sierra de mesa. Si utiliza esta herramienta de forma no segura o incorrecta, podrá sufrir graves heridas personales.

1. Utilice protección para los ojos.
2. No utilice la herramienta en presencia de líquidos o gases inflamables.

3. **NO UTILICE NUNCA** la herramienta instalando en ella un disco de corte abrasivo.
4. Inspeccione el disco cuidadosamente para ver si tiene grietas o daños antes de comenzar la operación. Reemplace el disco inmediatamente si está agrietado o dañado.
5. Limpie el eje, las bridas (especialmente la superficie de instalación) y la tuerca hexagonal antes de instalar el disco. Una instalación mal hecha puede ocasionar vibración, bamboleo o resbalamiento en el disco.

6. Utilice el protector de disco y la cuchilla para rajar/ separador en todas las operaciones en que puedan ser utilizados, incluidas todas las operaciones de corte de lado a lado. Ensamble e instale siempre el protector de disco siguiendo las instrucciones paso a paso descritas en este manual. Las operaciones de corte de lado a lado son aquellas en las que el disco corta la pieza de trabajo completamente de lado a lado como en los cortes longitudinales o transversales. **NO UTILICE NUNCA** la herramienta con un protector de disco defectuoso ni sujete el protector de disco con una sogá, cuerda, etc. Cualquier operación irregular del protector de disco se debe corregir de inmediato.
7. Inmediatamente después de terminar alguna operación que requiera desmontar las protecciones, levante la cuchilla para rajar/separador a la posición de separar y reinstale el conjunto protector y las protecciones laterales .
8. No corte metales, tales como clavos y tornillos. Inspeccione y quite todos los clavos, tornillos y otras materias extrañas de la pieza de trabajo antes de la operación.
9. Retire las llaves, los recortes de madera, etc., de la mesa antes de activar el interruptor.
10. **NO SE PONGA NUNCA** guantes para trabajar con la herramienta.
11. Mantenga las manos alejadas de la alineación del disco.
12. **NO SE PONGA NUNCA** en la trayectoria del disco ni permita que otros lo hagan.
13. Asegúrese de que el disco no esté haciendo contacto con la cuchilla para rajar/ separador o con la pieza de trabajo antes de activar el interruptor.
14. Antes de empezar a cortar la pieza de trabajo, deje funcionar la herramienta durante un rato. Observe para ver si hay vibración o bamboleo que pueda indicar una incorrecta instalación o un desequilibrio del disco.
15. **NO HAGA NUNCA** ajustes mientras la herramienta está en marcha. Desconecte la herramienta antes de hacer cualquier ajuste.
16. Utilice un listón de empuje cuando se requiera. **DEBERÁ** utilizar siempre listones de empuje para cortar longitudinalmente piezas de trabajo estrechas con el fin de mantener las manos y los dedos bien alejados del disco.
17. Preste atención especial a las instrucciones que explican cómo reducir el riesgo de **RETROCESOS BRUSCOS**. El **RETROCESO BRUSCO** es una reacción repentina debida a un aprisionamiento, estancamiento o desalineación del disco. El **RETROCESO BRUSCO** ocasiona la expulsión de la pieza de trabajo por la parte trasera de la herramienta hacia el operador. **LOS RETROCESOS BRUSCOS PUEDEN ACARREAR HERIDAS PERSONALES GRAVES**. Evite los **RETROCESOS BRUSCOS** manteniendo el disco afilado, la guía de corte longitudinal paralela al disco, instalados y teniendo bajo perfecto funcionamiento la cuchilla separadora, el trinquete anti-retroceso brusco y el protector de disco en su lugar para cada operación para la que se puede utilizar y operando adecuadamente, no soltando la pieza de trabajo hasta haberla empujado más allá del disco, y no cortando una pieza de trabajo que esté retorcida o alabeada o que no tenga un borde recto para guiarla a la largo de la guía.
18. No realice ninguna operación directamente con la mano. Directamente con las manos significa utilizar las manos para sujetar o guiar la pieza de trabajo en lugar de hacerlo con una guía de corte longitudinal o un calibrador de ingletes.
19. **NO ACERQUE NUNCA** las manos alrededor ni por encima del disco. **NO SE ACERQUE NUNCA** a coger la pieza de trabajo hasta que el disco se haya detenido completamente.
20. Evite avanzar la pieza de trabajo de forma abrupta o rápida. Cuando corte piezas de trabajo duras desplácelas lo más lentamente posible. No fuerza ni retuerza la pieza de trabajo al avanzarla. Si el disco se detiene o atora en la pieza de trabajo, apague la herramienta inmediatamente. Desconecte la herramienta. Después desatorela.
21. **NO RETIRE NUNCA** recortes de madera de próximos al disco, ni toque el protector de disco mientras el disco está girando.
22. Extraiga cualquier nudo suelto de la pieza de trabajo **ANTES** de comenzar a cortar.
23. No jale el cable. Nunca jale el cable para desconectarlo desde la toma de corriente. Mantenga el cable alejado del calor, aceite, agua o bordes cortantes.
24. Algunos materiales contienen sustancias químicas que pueden ser tóxicas. Tome precauciones para evitar la inhalación de polvo o que éste tenga contacto con la piel. Consulte la información de seguridad del proveedor de los materiales.
25. Los protectores laterales se pueden levantar para colocar la pieza de trabajo y para facilitar la limpieza. Asegúrese siempre de que la capucha del protector esté bajada y al ras contra la mesa de la sierra antes de enchufar la herramienta.

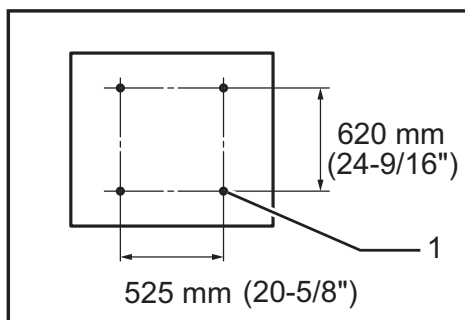
GUARDE ESTAS INSTRUCCIONES.

ADVERTENCIA:

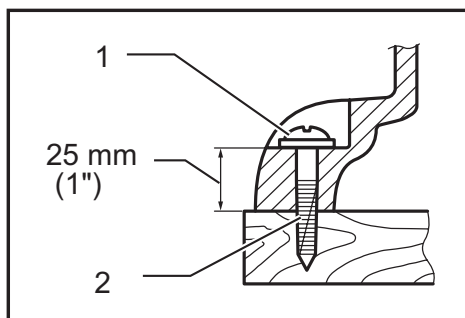
⚠ADVERTENCIA: EI USO INCORRECTO o el no seguir las normas de seguridad que se declaran en este instructivo podría resultar en lesiones personales graves.

INSTALACIÓN

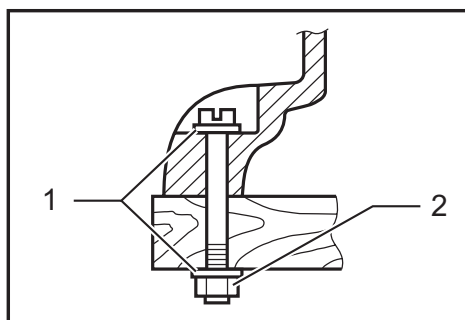
Ubicación de la sierra de mesa



► 1. Orificio de 8 mm (5/16") de diámetro



► 1. Arandela normal de 6 mm (1/4") 2. Tornillo para madera de 40 mm (1-1/2") de largo N° 10



► 1. Arandela normal de 6 mm (1/4") 2. Apretar firmemente el perno y arandela de montaje de 6 mm (1/4")

Coloque la sierra de mesa en un lugar bien iluminado y nivelado donde pueda mantener los pies firmes y el equilibrio. Deberá ser instalada en un lugar que deje suficiente espacio para manejar fácilmente el tamaño de las piezas de trabajo que corte. La sierra de mesa deberá ser sujeta con cuatro tornillos o pernos al banco de trabajo o estante de sierra de mesa mediante los agujeros provistos en la parte inferior de la sierra de mesa. Cuando sujete la sierra

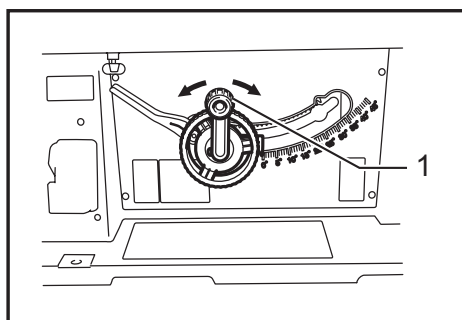
de mesa en un banco de trabajo, asegúrese de que haya una abertura en la parte superior del banco de trabajo del mismo tamaño que la abertura de la parte inferior de la sierra de mesa para que caiga el serrín a través de ella. Si durante la operación hay en la sierra de mesa alguna tendencia a volcarse, deslizarse o moverse, deberá sujetar el banco de trabajo o el estante de sierra de mesa firmemente al suelo.

DESCRIPCIÓN DEL FUNCIONAMIENTO

⚠PRECAUCIÓN:

- Asegúrese siempre de que la herramienta esté apagada y desconectada antes de ajustar o comprobar cualquier función en la misma.

Ajuste de la profundidad de corte



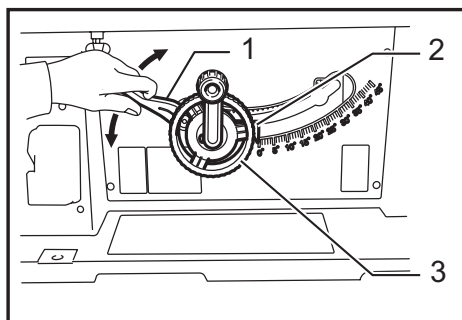
► 1. Mango

La profundidad de corte se puede ajustar girando el mango. Gire el mango en sentido de las manecillas del reloj para subir el disco o en sentido contrario a las manecillas del reloj para bajarlo.

NOTA:

- Utilice un ajuste de poca profundidad cuando corte materiales finos para obtener un corte más limpio.

Ajuste del ángulo bisel



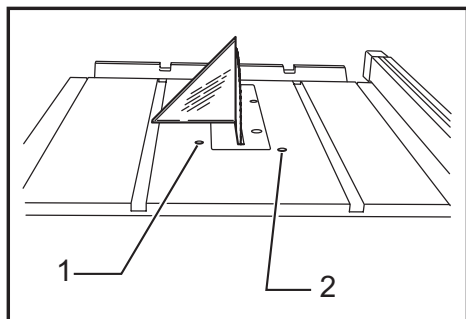
► 1. Palanca de bloqueo 2. Puntero de flecha 3. Volante de mano

Afloje la palanca de bloqueo en sentido contrario a las manecillas del reloj y gire el volante de mano hasta obtener el ángulo deseado ($0^\circ - 45^\circ$). El puntero de flecha indica el ángulo de bisel. Una vez obtenido el ángulo deseado, apriete la palanca de bloqueo en sentido de las manecillas del reloj para fijar el ajuste realizado.

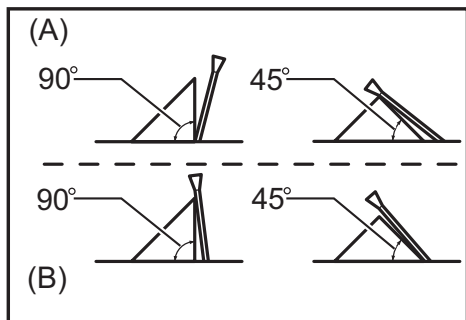
⚠ PRECAUCIÓN:

- Después de ajustar el ángulo de bisel, asegúrese de apretar la palanca de bloqueo firmemente.

Ajuste de los topes de seguridad

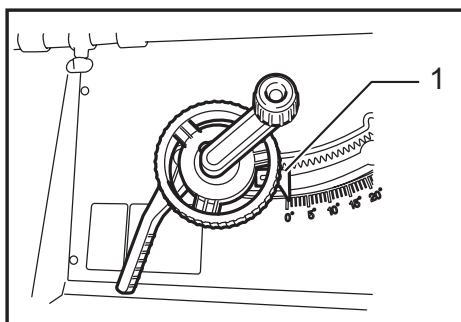


► 1. Tornillo de ajuste a 90° 2. Tornillo de ajuste a 45°



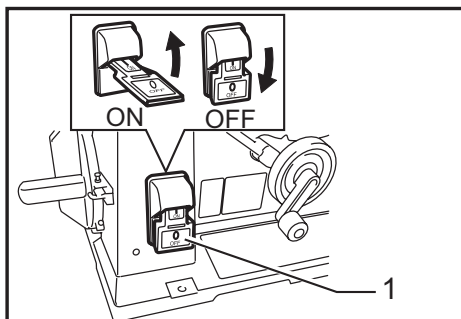
La herramienta está equipada con topes de seguridad a 90° y 45° en relación con la superficie de la mesa. Para comprobar y ajustar los topes de seguridad, proceda de la forma siguiente:

Mueva el volante de mano lo máximo posible girándolo. Coloque una escuadra sobre la mesa y compruebe si el disco está a 90° o 45° en relación con la superficie de la mesa. Si el disco está a un ángulo mostrado en la Fig. A, gire los tornillos de ajuste en sentido de las manecillas del reloj; si está a un ángulo mostrado en la Fig. B, gire los tornillos de ajuste en sentido contrario a las manecillas del reloj para ajustar los topes de seguridad. Una vez ajustados los topes de seguridad, ajuste el disco a 90° en relación con la superficie de la mesa. Después ajuste el puntero de flecha de forma que su borde derecho quede alineado con la graduación 0° .



► 1. Puntero de flecha

Accionamiento del interruptor



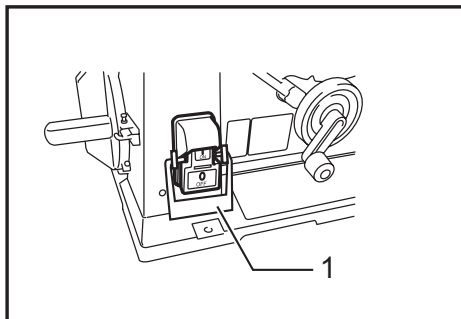
► 1. Interruptor

⚠ PRECAUCIÓN:

- Antes de conectar la herramienta, asegúrese siempre de que está apagada.

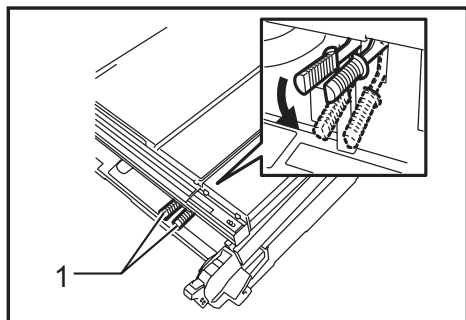
Para poner en marcha la herramienta, suba la palanca del interruptor. Para pararla, baje la palanca del interruptor.

La chapa de la palanca del interruptor articulada se puede bloquear pasando el candado a través del pasador del lado izquierdo.

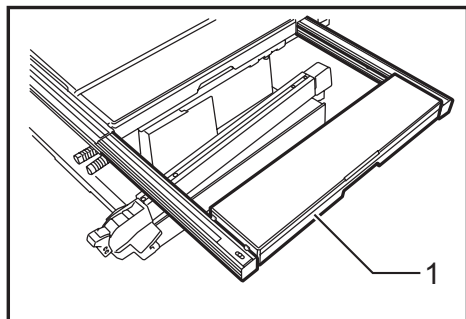


► 1. Candado

Submesa (der.)



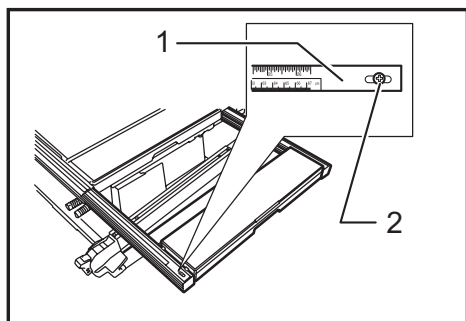
► 1. Palanca



► 1. Submesa (Der.)

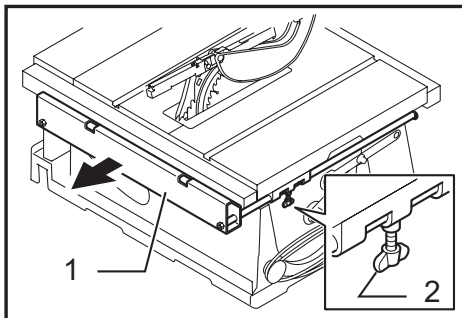
Esta herramienta está provista de una submesa (der.) en el lado derecho de la mesa principal. Para utilizar la submesa (der.), suba ambas palancas del lado derecho delantero, saque la mesa (der.) completamente y después baje las palancas para sujetarla.

Cuando utilice la submesa (der.), coloque la placa graduada de la submesa, después de aflojar el tornillo de la misma con un destornillador, a continuación de la placa graduada de la mesa principal.



► 1. Placa graduada 2. Tornillo

La submesa (trasera) y submesa (izq.) (AMBAS son accesorios opcionales)

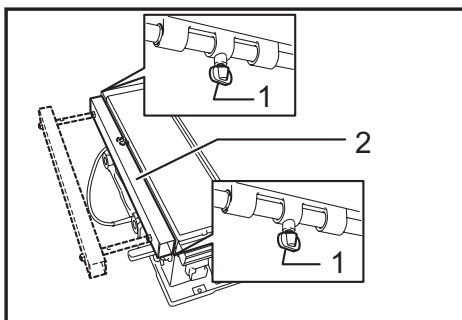


► 1. Submesa (posterior) 2. Tornillo

Para usar la submesa (trasera), afloje los tornillos sobre los pasadores derecho e izquierdo bajo la mesa y tire hacia atrás hasta la longitud deseada. Apriete los tornillos para fijar con firmeza.

NOTA:

- Cuando utilice la submesa (trasera) durante el empleo de la guía de corte al hilo, saque la submesa (trasera) más de 50 mm de forma que no golpee contra el extremo superior de la guía de corte al hilo.

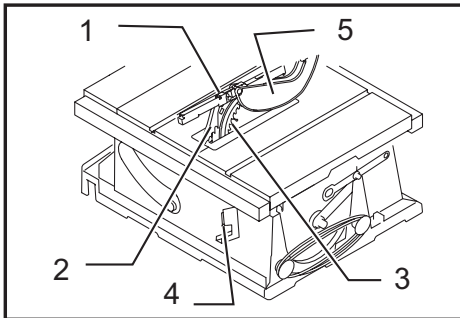


► 1. Tornillo 2. Submesa (Izq.)

La submesa (trasera) se puede instalar en la parte posterior de la mesa para tener un espacio más amplio. La submesa (izq.) se puede instalar en el lado izquierdo de la mesa.

ENSAMBLE

Generalidades del sistema de protección del disco de la sierra de mesa



- 1. Conjunto de la protección del disco de la sierra de mesa 2. Trinquete de antirretroceso 3. Cuchilla para rajar/separador 4. Ubicación de la palanca para liberar la cuchilla para rajar/separador 5. Protecciones laterales del disco de la sierra de mesa

⚠ADVERTENCIA:

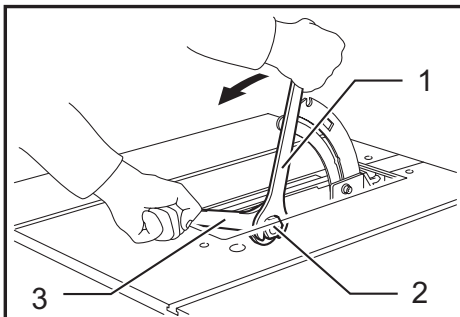
- Asegúrese siempre de que la herramienta esté apagada y desconectada antes de realizar cualquier trabajo en la misma.

El disco de la sierra y la protección del disco no están instalados en la herramienta cuando se embarca de la fábrica.

Instalación o extracción de la cuchilla u hoja de sierra.

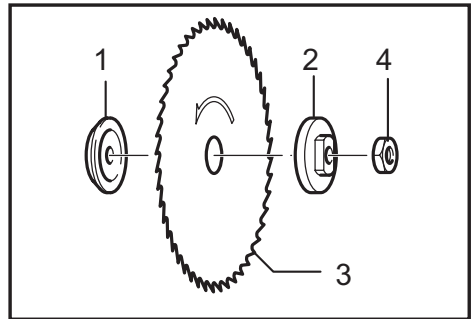
⚠ADVERTENCIA:

- Asegúrese siempre de que la herramienta esté apagada y desconectada antes de instalar o extraer el disco.
- Utilice solamente la llave de cubo Makita provista para instalar o desmontar el disco. De lo contrario, podría producirse apretamiento excesivo o insuficiente del perno hexagonal. Esto podría ocasionarle heridas.



- 1. Llave 2. Tuerca hexagonal 3. Llave inglesa acodada

Quite la placa insertada en la mesa. Sujete la brida exterior con la llave inglesa acodada y afloje la tuerca hexagonal en sentido contrario a las manecillas del reloj con la llave. Después quite la brida exterior. Ensamble la brida interior, el disco, la brida exterior y la tuerca hexagonal en el eje, asegurándose de que los dientes del disco estén apuntando hacia la parte frontal de la mesa. Instale siempre la tuerca hexagonal con su cara rebajada orientada hacia la brida exterior.

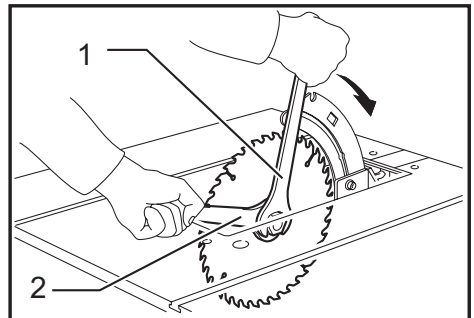


- 1. Brida interior 2. Brida exterior 3. Disco de sierra 4. Tuerca hexagonal

⚠PRECAUCIÓN:

- Mantenga las superficies de las bridas limpias de suciedad y otras materias adherentes; podrían hacer que el disco resbale. Asegúrese de que el disco esté instalado de forma que los dientes queden alineados en la dirección de corte (giro).

Para sujetar el disco en posición, sujete la brida exterior con la llave inglesa acodada y después apriete la tuerca hexagonal en sentido de las manecillas del reloj con la llave. **ASEGÚRESE DE APRETAR LA TUERCA HEXAGONAL FIRMEMENTE.**



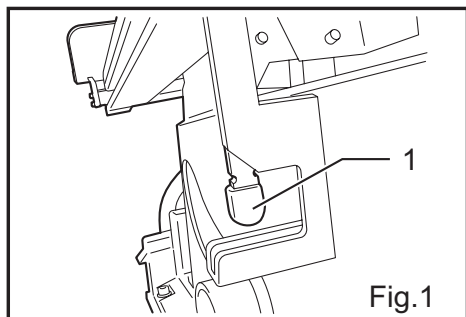
- 1. Llave 2. Llave inglesa acodada

⚠PRECAUCIÓN:

- Asegúrese de sujetar la tuerca hexagonal con la llave con cuidado. Si su puño se resbala, la llave puede salirse de la tuerca hexagonal y su mano golpear los dientes del disco.

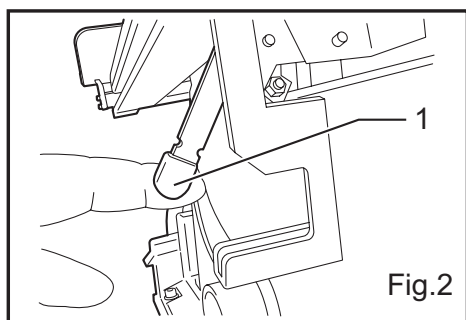
Colocación de la cuchilla para rajar/separador

1. Localice la palanca para liberar la cuchilla para rajar/separador que se ubica en la parte posterior de la sierra de mesa como se indica en la figura 1.



- 1. Palanca de liberación de la cuchilla para rajar/separador

2. Tire de la palanca para soltar la cuchilla para rajar/separador hasta que se detenga como se indica en la figura 2. Esta acción soltará la cuchilla para rajar/separador para colocarla en su posición.



- 1. Tire de la palanca de liberación de la cuchilla para rajar/separador

3. Con la palanca para soltar halada, mueva con la mano la cuchilla para rajar/separador hacia arriba o hacia abajo a la posición deseada. Una vez que la cuchilla para rajar/separador se empiece a mover, suelte la palanca y continúe moviendo la cuchilla hasta la posición siguiente en la que se asegurará automáticamente. La cuchilla para rajar/separador se puede asegurar en 3 posiciones como se muestra en la siguiente figura 3-5.

Tres posiciones de funcionamiento de la unidad de cuchilla para rajar/separador.

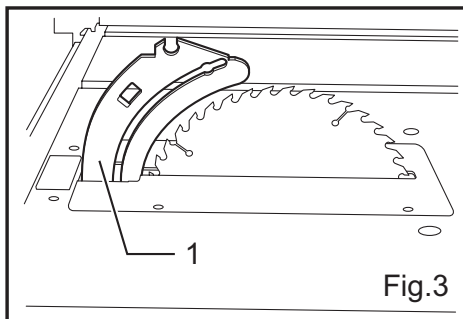
Posición de separador

⚠ADVERTENCIA:

- **Esta posición se utiliza para operaciones de corte de lado a lado y el conjunto de protección con las protecciones laterales se debe utilizar siempre para este tipo de operación.** Hacer un corte de lado a lado sin la protección adecuada puede resultar en lesiones personales graves.

La unidad de cuchilla para rajar/separador se puede preparar para instalar el conjunto de protección y las protecciones laterales colocándola a la altura ajustable máxima como se muestra en la Fig 3. En esta posición la unidad queda levantada arriba del disco, de modo que el conjunto de protección se pueda instalar y quedar listo para funcionar. Asegúrese de que la palanca de liberación ubicada en la parte trasera de la sierra de mesa ha regresado a la posición que se muestra en la figura 1. Antes de montar la protección asegúrese de revisar que la unidad esté en una posición asegurada tirando de la unidad hacia arriba y empujándola hacia abajo para asegurarse que no se mueve.

Posición de separador



- 1. Cuchilla para rajar/separador en posición de separar

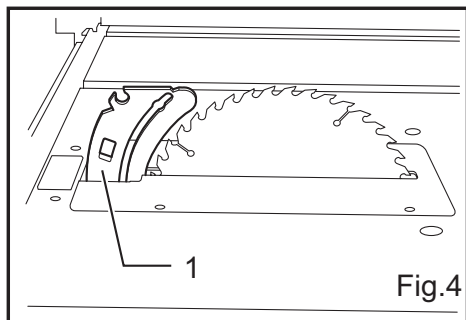
Posición de cuchilla para rajar

⚠ADVERTENCIA:

- **Nunca opere la sierra con la protección montada en la cuchilla para rajar/separador cuando la unidad esté en la posición de cuchilla para rajar.** La protección puede interferir con la alimentación de la pieza de trabajo y podría resultar en un retroceso y lesión grave.

La unidad de cuchilla para rajar/separador se puede colocar y asegurar a un ajuste de altura que esté justo abajo de la parte superior del disco como se muestra en la figura 4. La unidad se utilizaría en esta posición para operaciones de corte que no sean de lado a lado, con la protección sin instalar, como rebajar y cortar ranuras. Asegúrese de que la palanca de liberación ubicada en la parte trasera de la sierra de mesa ha regresado a la posición que se muestra en la figura 1. Antes de poner en marcha la herramienta, asegúrese de revisar que la cuchilla para rajar/separador esté en una posición asegurada tirando de la unidad hacia arriba y empujándola hacia abajo para asegurarse que no se mueve.

Posición de cuchilla para rajar

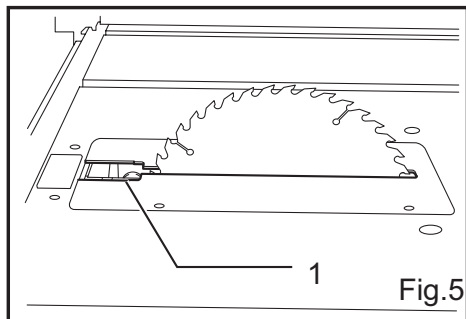


- 1. Cuchilla para rajar/separator en posición de cuchilla para rajar

Posición de ranurar

La unidad de cuchilla para rajar/separator se puede colocar y asegurar a un ajuste de altura que esté justo abajo de la mesa detrás del disco como se muestra en la figura 5. Esta posición se utilizaría al intentar realizar cortes de ranuras con un disco tipo ranura. Para facilitar el funcionamiento, al tirar de la palanca para soltar la cuchilla para rajar/separator, la unidad automáticamente saltará arriba de la mesa para proporcionar un área de alcance fácil en la unidad de modo que se pueda tirar de ella desde abajo de la mesa y moverse a la siguiente posición deseada.

Posición para ranurar



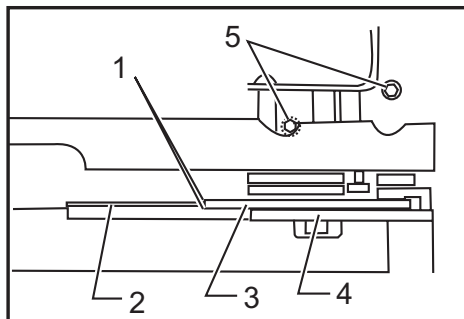
- 1. Cuchilla para rajar/separator en posición de ranurar

Alineación de la cuchilla para rajar/separator

⚠ ADVERTENCIA:

- Siempre asegúrese que el disco esté correctamente alineado con la cuchilla para rajar/separator. Si el disco y la cuchilla para rajar/separator no están alineados, esto puede ocasionar interferencia con la alimentación y/o que el apretón de la pieza de trabajo resulte en una situación de retroceso y la posible lesión personal grave.
- **NUNCA haga un ajuste mientras la herramienta esté funcionando.** Siempre desconecte la herramienta antes de hacer cualquier ajuste. La puesta en marcha accidental de la herramienta puede resultar en una lesión personal grave.

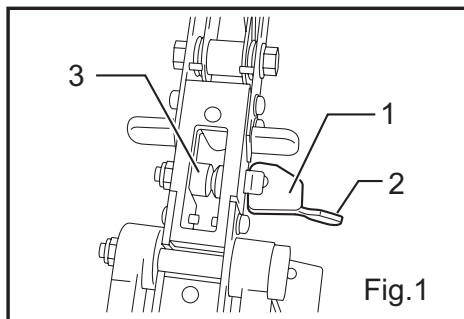
La instalación de la cuchilla para rajar/separator se ajusta a la fábrica de modo que el disco y la cuchilla para rajar/separator están adecuadamente alineados. Sin embargo, si el disco y la cuchilla para rajar/separator se desalinean, esto se puede corregir desenchufando primero la herramienta para evitar una operación no intencional. Después, como se muestra en el punto 5, se deben aflojar los tornillos hexagonales utilizando la llave especialmente proporcionada. Con los tornillos hexagonales flojos ajuste la cuchilla para rajar/separator de modo que se alinie directamente detrás del disco mientras se mantienen claros iguales en ambos lados de la cuchilla para rajar/separator en relación con el disco como se muestra en el punto 1. Una vez que la cuchilla para rajar/separator se ubique adecuadamente, asegure en su lugar los componentes de montaje, apretando los tornillos hexagonales como se muestra en el punto 5.



- 1. Estas dos distancias de despeje deben ser iguales 2. Disco 3. Cuchilla para rajar/separator 4. Placa de presión 5. Tornillos hexagonales

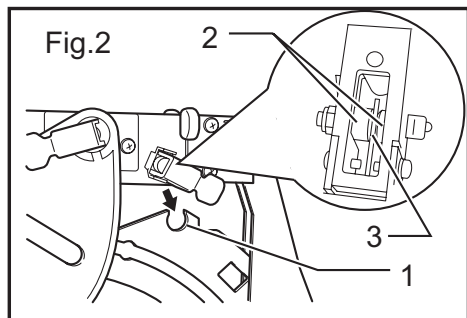
Instalación y desmontaje del conjunto de protección del disco

1. Suelte el pasador de la palanca para asegurar la protección del disco, levantando la pestaña de la palanca como se muestra en la figura 1.



- 1. Palanca sujetadora en posición suelta 2. Lengüeta de la palanca sujetadora 3. Pasador de la palanca sujetadora

- Para facilitar la instalación del conjunto de protección, ajuste la sierra de mesa para la profundidad de corte máxima. Con la palanca sujetadora suelta como se muestra en la figura 1, coloque la ranura central del pasador de la palanca sujetadora en la muesca de la unidad de la cuchilla para rajarse/separarse como se muestra en la figura 2.

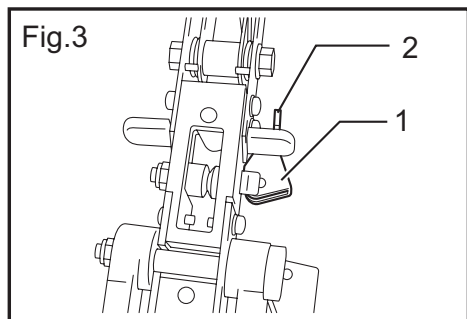


1. La muesca ubicada en la cuchilla para rajarse/separarse en la ranura central del pasador de la palanca sujetadora 2. Camisas del pasador de la palanca sujetadora 3. Ranura central del pasador de la palanca sujetadora

- Una vez que el pasador de la palanca sujetadora esté colocado en la muesca de la cuchilla para rajarse/separarse, se debe bloquear en su posición empujando la pestaña del pasador de la palanca sujetadora en la posición de bloqueada como se muestra en la figura 3. Una vez que el pasador de la palanca sujetadora está en la posición de bloqueo, revise para asegurarse que el conjunto de protección está montado adecuadamente en la unidad de cuchilla para rajarse/separarse, tirando hacia arriba del conjunto de protección y asegurándose que no se mueve de su posición.

⚠ADVERTENCIA:

- Siempre asegúrese del montaje adecuado del conjunto de protección de la cuchilla para rajarse/separarse antes de poner en marcha la sierra. Un montaje inadecuado del conjunto de protección podría resultar en que el disco hiciera contacto con la protección, causando lesiones graves.



1. Palanca sujetadora en posición asegurada
2. Lengüeta de la palanca sujetadora

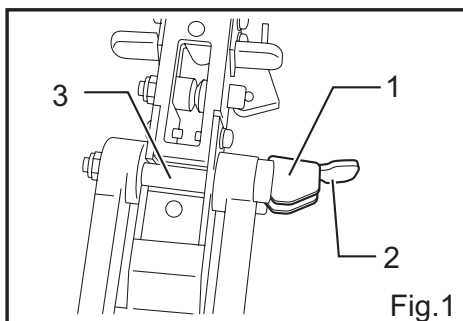
Para desmontar la protección del disco para operaciones que no sean corte de lado a lado invierta los pasos 1 - 3 anteriores.

Instalación de las protecciones laterales al conjunto de protección del disco.

⚠ADVERTENCIA:

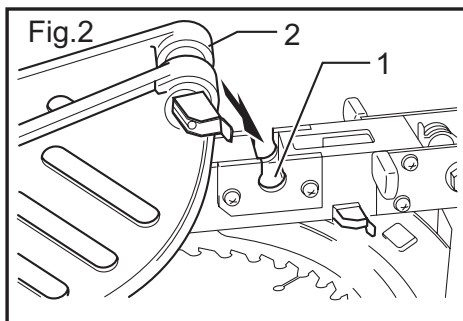
- El conjunto de protección y las protecciones laterales sólo se deben utilizar con la cuchilla para rajarse/separarse en la posición de separarse para evitar interferencia de la protección con la pieza de trabajo. El uso del conjunto de protección con la cuchilla para rajarse/separarse en la posición de cuchilla para rajarse puede causar interferencia con la pieza de trabajo resultando en una situación de retroceso y posible lesión personal grave.

- Suelte el pasador de la palanca sujetadora de la protección lateral levantando la pestaña de la palanca como se muestra en la figura 1.



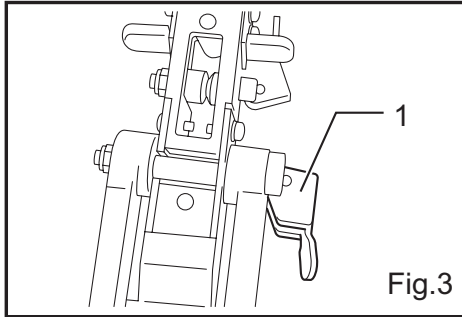
1. Protección lateral de la palanca sujetadora en posición suelta 2. Lengüeta de la protección lateral de la palanca sujetadora 3. Pasador de la palanca sujetadora de la protección lateral

- Con el pasador de la palanca sujetadora suelto, coloque el pasador en la muesca del conjunto de protección del disco como se muestra en la figura 2.



1. La muesca ubicada en el conjunto de protección del disco 2. Pasador de la palanca sujetadora de lugar en el conjunto de protección del disco

3. Una vez que el pasador de la palanca sujetadora esté colocado en la muesca del conjunto de protección del disco se debe bloquear en su posición, empujando la pestaña del pasador de la palanca sujetadora en la posición de bloqueo como se muestra en la figura 3.



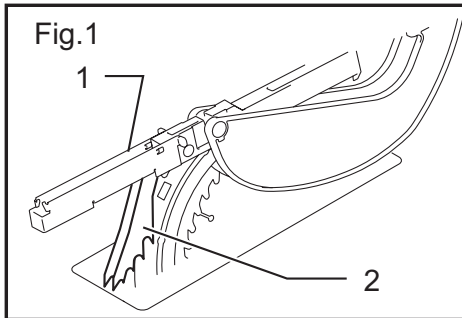
- 1. La palanca sujetadora en posición asegurada

Para desmontar la protección del disco para operaciones que no sean corte de lado a lado invierta los pasos 1 - 3 anteriores.

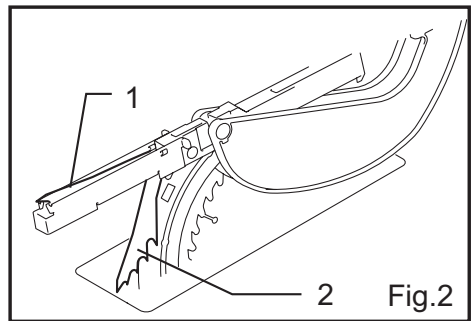
Operación del trinquete antirretroceso

⚠ ADVERTENCIA:

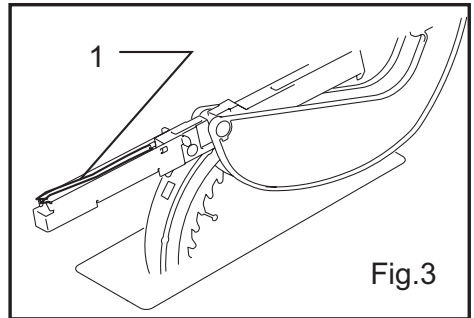
- Utilice los trinquetes antirretroceso siempre que sea posible durante las operaciones de corte de lado a lado. Esto ayudará a evitar que el material que se empuja hacia el operador durante una situación de retroceso pueda resultar en una lesión personal grave.



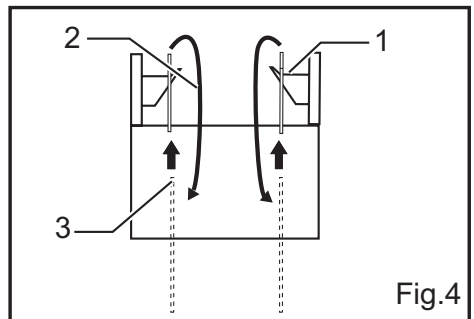
- 1. El conjunto protector del disco pieza 1 se proporciona con dos trinquetes antirretroceso instalados, pieza 2. Los trinquetes se ubican a ambos lados del disco y se pueden guardar o poner en funcionamiento independientemente para facilidad de operación.



- 1. La pieza 1 ilustra el trinquete antirretroceso en el lado derecho del disco que se está levantando y colocando en el sostén del trinquete ubicado en la parte posterior del conjunto de protección del disco.
2. Además la pieza 2 ilustra el trinquete antirretroceso en el lado izquierdo del disco que se mantiene en la posición de funcionamiento.

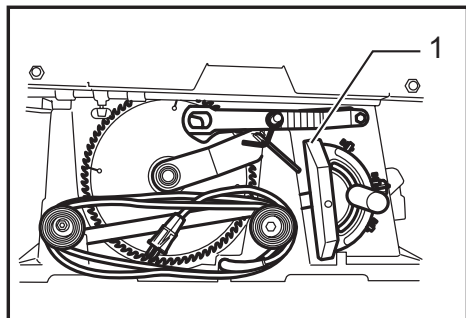


- 1. La pieza 1 demuestra que ambos trinquetes se están levantando y colocando en los sostenes de los trinquetes ubicados en la parte posterior del conjunto de protección del disco para su almacenamiento

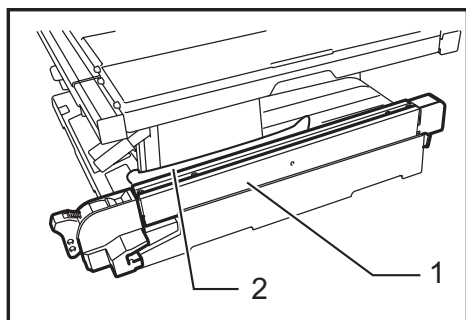


- 1. La pieza 1 indica la ubicación de los sostenes de los trinquetes antirretroceso en la parte posterior del conjunto de protección del disco 2. La pieza 2 señala la dirección de la flecha que se debe seguir al sacar los trinquetes de la posición de guardarlos y ponerlos en funcionamiento 3. El artículo 3 indica la dirección en que se deben levantar los trinquetes al guardarlos y colocarlos en los sostenes de los mismos

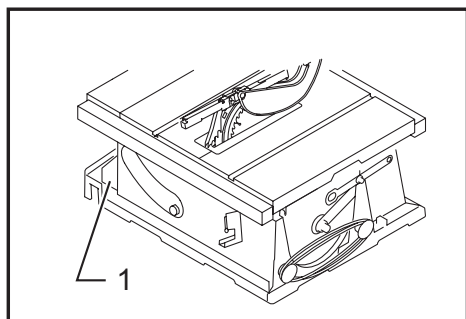
Almacenamiento de las protecciones del disco y accesorios.



► 1. Calibrador de ingletes



► 1. Tope lateral de corte 2. Listón de empuje



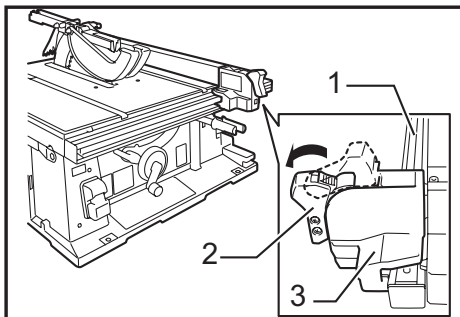
► 1. Almacenamiento del conjunto de protección y protección lateral del disco de la sierra de mesa

El cortador de ingletes, disco y llaves se pueden guardar en el lado izquierdo de la base y la guía de cortes longitudinales se puede guardar en el lado derecho de la base. El conjunto de protección del disco y las protecciones laterales se pueden guardar independientemente en la bolsa del lado derecho de la base de la mesa.

Instalación y ajuste de la guía de corte al hilo

⚠ ADVERTENCIA:

- Siempre asegúrese que la herramienta esté apagada y desenchufada antes de intentar llevar a cabo la instalación y ajuste de la guía de cortes longitudinales.



► 1. Carril guía 2. Manija 3. Gancho

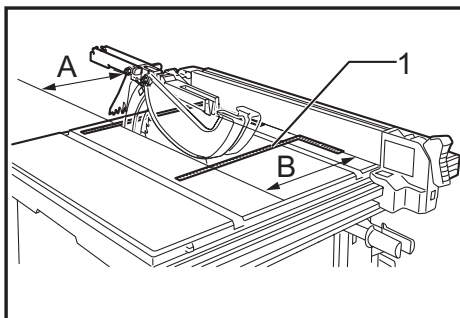
1) Coloque el gancho en la punta de la guía de corte dentro del riel de guía más alejado en la mesa o mesa inferior (R) e instale y empuje hacia delante la guía de corte para que el soporte de la guía encaje en el riel de guía más próximo. Para deslizar la guía de corte sobre los lados del riel de guía, gire el selector del soporte de la guía hasta la mitad de su recorrido.

Para sujetar la guía de corte al hilo, apriete completamente la manija del soporte de la guía.

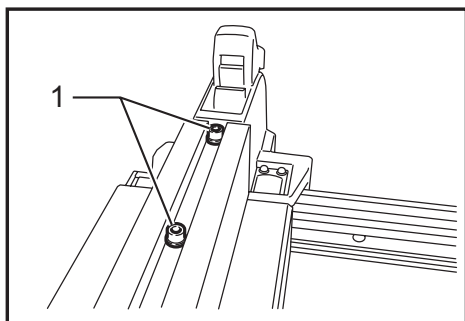
2) Para deslizar la guía de corte hacia los lados del riel de guía, gire el selector del soporte de la guía completamente sin tirar de la palanca del selector.

3) Para retirarla, tire de la palanca del selector y gire el selector completamente hacia adelante mientras tira de la palanca.

Para asegurarse de que la guía de corte al hilo está paralela con el disco, sujete la guía de corte al hilo a 2 ó 3 mm (5/64" - 1/8") del disco. Suba el disco a su máxima elevación. Marque uno de los dientes del disco con una tiza. Mida las distancias (A) y (B) entre la guía de corte al hilo y el disco. Tome ambas mediciones utilizando el diente marcado con la tiza. Estas dos mediciones deberán ser idénticas. Si la guía de corte al hilo no está paralela con el disco, proceda de la forma siguiente:

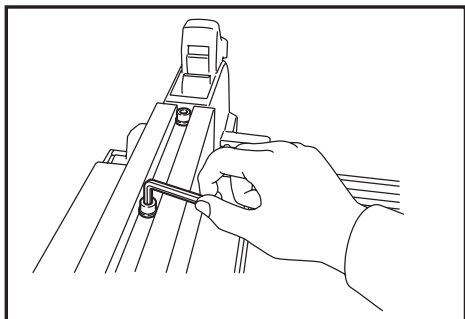


► 1. Escala



► 1. Tornillos hexagonales

1. Coloque la guía de corte en la posición de deslizamiento.
2. Afloje los dos pernos hexagonales de la guía de corte al hilo con la llave hexagonal provista.
3. Ajuste la guía de corte al hilo hasta que quede paralela con el disco.
4. Gire hacia abajo el selector de la guía de corte hacia el operador.
5. Apriete los dos pernos hexagonales de la guía de corte al hilo.

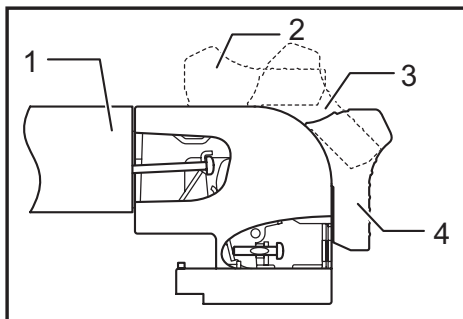


▲ ADVERTENCIA:

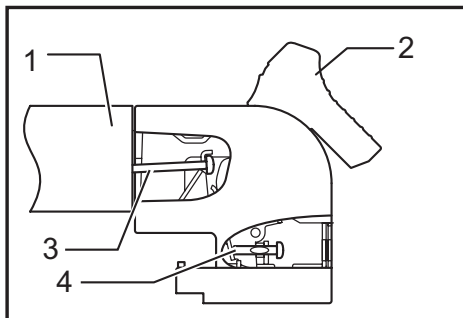
- Asegúrese de ajustar la guía de corte al hilo de tal forma que quede paralela al disco o podrá producirse un peligroso retroceso brusco.

Cuando la guía de corte al hilo no pueda quedar sólida-mente fija, ajústela como se indica a continuación.

- (1) Coloque la guía de cortes longitudinales sobre la mesa y después gire la perilla a la mitad de su rotación. Apriete el tornillo (A) hasta que la guía quede inmobilizada. Después afloje de 1/4 a 1/2 vuelta.



► 1. Tope lateral de corte 2. Posición liberada
3. Posición móvil 4. Posición bloqueada



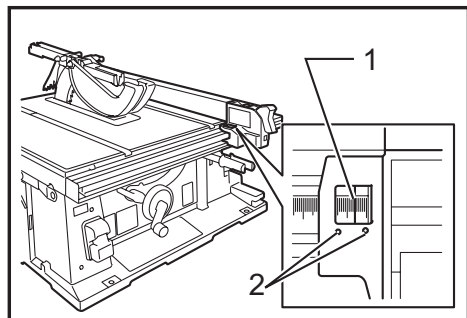
► 1. Tope lateral de corte 2. Posición móvil 3. Tornillo (B) 4. Tornillo (A)

- (2) Apriete el tornillo (B) por completo y luego afloje alrededor de 2 revoluciones completas.
- (3) Bloquee la guía de corte al hilo al girar por completo la manija sobre su eje sobre el sujetador de la guía (posición bloqueada).
- (4) Asegúrese de que la guía de corte al hilo pueda colocarse y quitarse en la posición original (posición suelta).
- (5) Asegúrese que la guía se puede deslizar sin bambolearse cuando la perilla se gira a la mitad de su rotación.

▲ PRECAUCIÓN:

- Tenga precaución de no apretar los tornillos con más apriete que como se especifica en las instrucciones anteriores. No hacerlo puede dañar las partes apretadas.

Coloque la guía de corte al hilo a ras contra el costado del disco. Asegúrese de que la línea guía del soporte de la guía de corte al hilo apunte a la graduación 0. Si la línea guía no apunta a la graduación 0, afloje el tornillo de la placa graduada y ajuste la placa graduada.



► 1. Línea guía 2. Tornillos

OPERACIÓN

⚠PRECAUCIÓN:

- Utilice siempre "elementos de ayuda" como listones de empuje y bloques de empuje cuando haya peligro de que sus manos o dedos vayan a acercarse al disco.
- Sujete siempre firmemente la pieza de trabajo con la mesa y la guía de corte al hilo o el calibrador de ingletes. No la tuerza ni retuerza mientras la avanza. Si tuerce o retuerce la pieza de trabajo, podrá producirse un peligroso retroceso brusco.
- **NO RETIRE NUNCA** la pieza de trabajo mientras el disco esté girando. Si tiene que retirar la pieza de trabajo antes de completar un corte, primero apague la herramienta mientras sujeta la pieza de trabajo firmemente. Espere hasta que el disco haya parado completamente antes de retirar la pieza de trabajo. En caso contrario podrá ocasionar peligrosos retrocesos bruscos.
- **NO RETIRE NUNCA** material de recortes mientras el disco esté girando.
- **NO PONGA NUNCA** las manos ni los dedos en la trayectoria del disco. Tenga especial cuidado con los cortes en bisel.
- Sujete siempre la guía de corte al hilo firmemente, o podrán producirse peligrosos retrocesos bruscos.
- Utilice siempre "elementos de ayuda" como listones de empuje y bloques de empuje cuando corte piezas de trabajo pequeñas o estrechas, o cuando la fresa rotativa de ranurar esté oculta durante el corte.

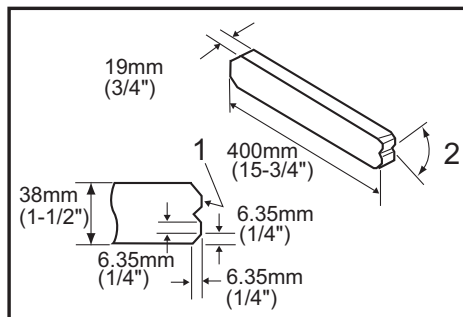
Elementos de ayuda

Los listones de empuje, bloques de empuje y la guía auxiliar son tipos de "elementos de ayuda". Utilícelos para hacer cortes sin peligro y seguros sin necesidad de tener que acercar alguna parte del cuerpo al disco.

NOTA:

- Para su conveniencia, se incluye con la herramienta un palo para empujar.

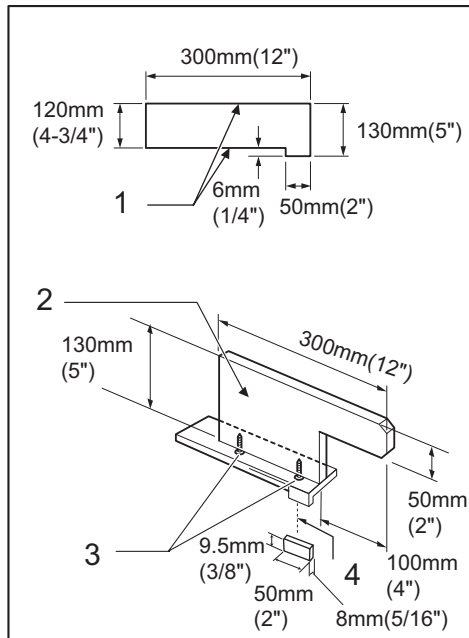
Varilla de empuje



► 1. Extremo de la pieza de trabajo 2. Muesca a 45°

Haga el palo para empujar utilizando una pieza de 1" x 2" como se muestra en la figura.

Bloque de empuje

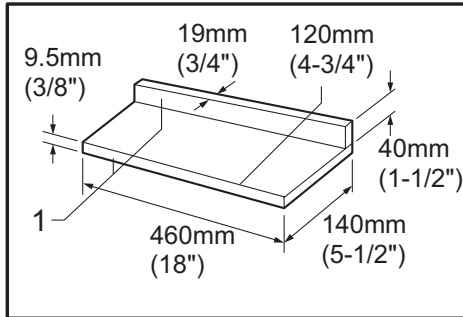


► 1. Cara/borde paralelos 2. Mango 3. Tornillo para madera 4. Unir con pegamento

Utilice una pieza de madera contrachapada de 19 mm (3/4").

El mango deberá estar en el centro de la pieza de madera contrachapada. Sujete con cola y tornillos para madera como se muestra. A la madera contrachapada deberá ir pegada siempre una pequeña pieza de madera de 9,5 x 8 x 50 mm (3/8" x 5/16" x 2") para evitar que el disco se embote en caso de cortar el bloque de empuje sin querer. (No utilice nunca clavos en el bloque de empuje.)

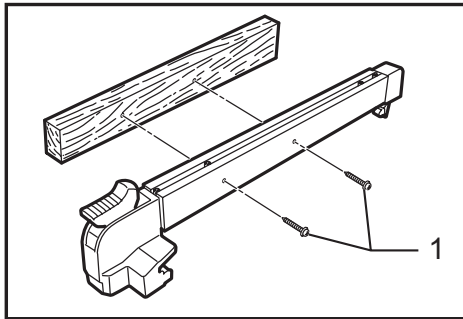
Guía auxiliar



► 1. Cara/borde paralelos

Haga la guía auxiliar con piezas de madera contrachapada de 9,5 (3/8") y 19 mm (3/4").

Madera de revestimiento (guía de corte al hilo)



► 1. Tornillos para madera N° 10 (de longitud suficiente como para penetrar hasta la mitad de la madera de revestimiento)

Para las operaciones en las que el disco se acerque a la guía de corte al hilo deberá utilizarse una madera de revestimiento. La madera de revestimiento para la guía de corte al hilo deberá ser del mismo tamaño que la guía de corte al hilo. Asegúrese de que la parte inferior de la madera de revestimiento esté a ras con la superficie de la mesa.

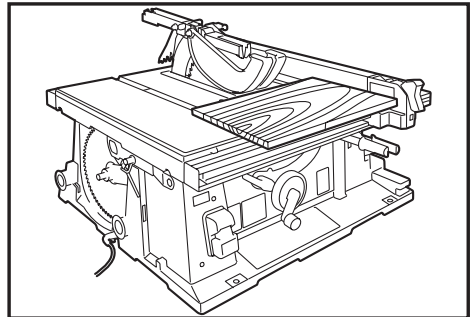
Corte al hilo

⚠PRECAUCIÓN:

- Cuando corte al hilo, quite el calibrador de inglete de la mesa.
- Cuando corte piezas de trabajo largas o grandes, provea siempre apoyo adecuado detrás de la mesa. NO permita que un tablero largo se mueva o cambie de posición en la mesa. Ello hará que el disco se trabe y aumentará la posibilidad de que se produzca un retroceso brusco y de sufrir heridas personales. El apoyo deberá estar a la misma altura que la mesa.

Antes de realizar una operación con la sierra de mesa, asegúrese de que los protectores anti-retroceso brusco funcionan correctamente. Apague la herramienta y desconéctela. Avance la pieza de trabajo debajo del protector de disco y a lo largo de ambos lados del disco para simular el corte. Intente retirar la pieza de trabajo en cada lado tirando de ella hacia usted. Los protectores anti-retroceso brusco deberán sujetar la pieza de trabajo y evitar que se mueva hacia atrás en dirección del operario. Mantenga siempre los fiadores anti-retroceso brusco afilados de forma que funcionen correctamente. Manténgalos afilados utilizando una lima redonda de forma que conserven su forma original.

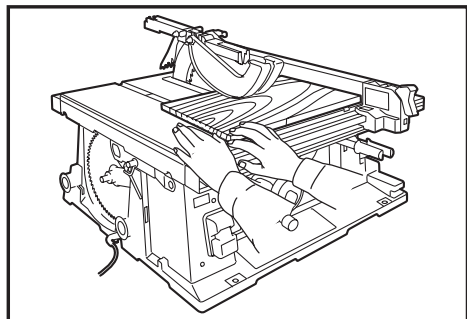
1. Ajuste la profundidad de corte a un poquito más que el grosor de la pieza de trabajo.



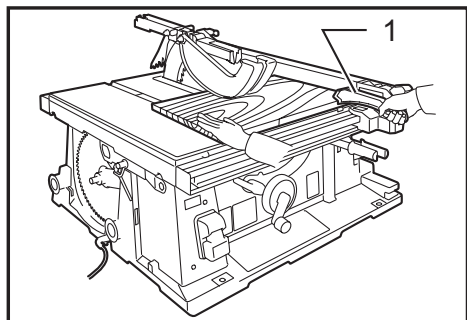
2. Ponga la guía de corte al hilo a la anchura deseada del corte al hilo y bloquéela en posición apretando el asidero. Antes de cortar al hilo, asegúrese de que el extremo trasero de la guía de corte al hilo esté bien sujeto. Si no está suficientemente sujeto, siga los procedimientos de la sección titulada "Instalación y ajuste de la guía de corte al hilo".

3. Encienda la herramienta y avance la pieza de trabajo suavemente hacia el disco a lo largo de la guía de corte al hilo.

- (1) Cuando la anchura del corte al hilo sea de 150 mm (6") o más ancha, avance la pieza de trabajo con la mano derecha con cuidado. Emplee la mano izquierda para sujetar la pieza de trabajo en posición contra la guía de corte al hilo.

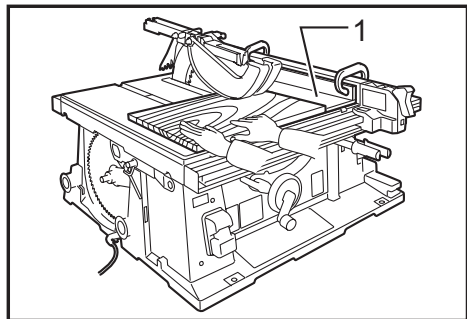


- (2) Cuando la anchura del corte al hilo sea de 65 mm - 150 mm (2-1/2" - 6"), utilice el listón de empuje para avanzar la pieza de trabajo.



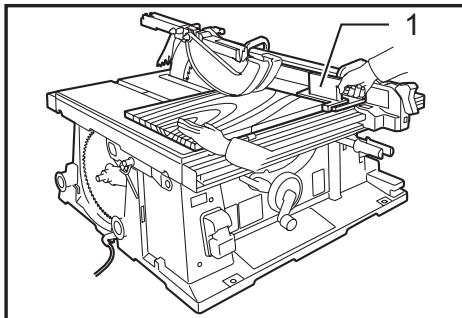
► 1. Listón de empuje

- (3) Cuando la anchura del corte al hilo sea más estrecha de 65 mm (2-1/2"), no podrá utilizarse el listón de empuje porque éste golpeará al protector de disco. Utilice la guía auxiliar y el bloque de empuje. Fije la guía auxiliar a la guía de corte al hilo con dos mordazas en "C".



► 1. Guía auxiliar

Avance la pieza de trabajo con la mano hasta que el final esté a unos 25 mm (1") del borde delantero de la mesa. Continúe avanzando utilizando el bloque de empuje encima de la guía auxiliar hasta completar el corte.



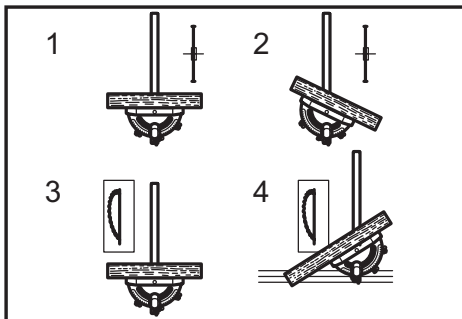
► 1. Bloque de empuje

Corte transversal

⚠PRECAUCIÓN:

- Cuando quiera hacer un corte transversal, quite la guía de corte al hilo de la mesa.
- Cuando quiera cortar piezas de trabajo largas o grandes, provea siempre apoyo adecuado a los lados de la mesa. El apoyo deberá estar a la misma altura que la mesa.
- Mantenga siempre las manos alejadas de la trayectoria del disco.

Calibrador de ingletes



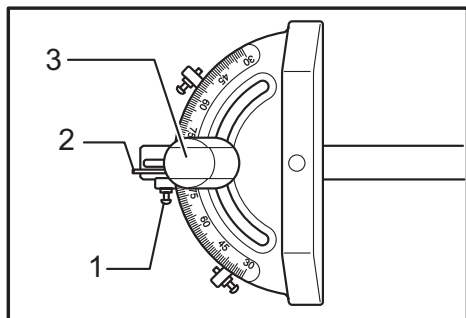
► 1. Corte transversal 2. Ingletado 3. Corte en bisel
4. Ingletado compuesto (ángulos)

Utilice el calibrador de ingletes para los 4 tipos de corte mostrados en la figura.

⚠PRECAUCIÓN:

- Sujete la manija del calibrador de ingletes con cuidado.
- Evite el movimiento de la pieza de trabajo y la guía asegurándolos firmemente, especialmente al cortar en ángulo.
- **NO SUJETE NI AGARRE NUNCA** la porción resultante del corte de la pieza de trabajo.

Topo de seguridad del calibrador de ingletes

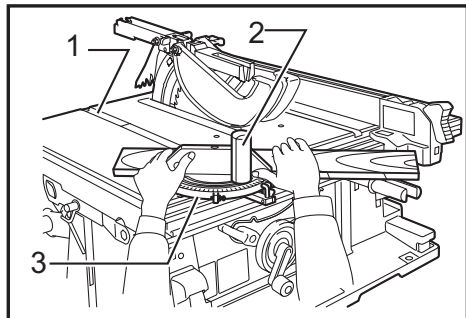


► 1. Manija 2. Placa pequeña 3. Tornillo de topo de seguridad

El calibrador de ingletes tiene topes de seguridad a izquierda y derecha en ángulos inglete de 90° y 45° para poder ajustar rápidamente los ángulos de inglete. Para ajustar el ángulo de inglete, afloje la manija del calibrador de ingletes.

Suba la placa pequeña del calibrador de ingletes para ajustar libremente. Gire el calibrador de ingletes al ángulo de inglete deseado. Vuelva a poner la placa pequeña del calibrador de ingletes en la posición original y apriete la manija en sentido de las manecillas del reloj firmemente.

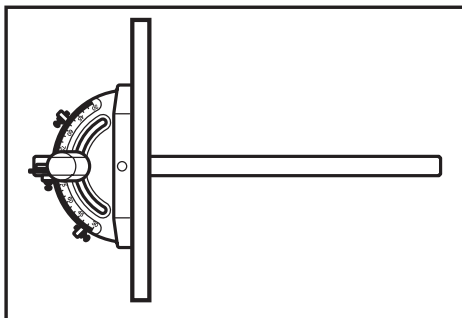
Utilización del calibrador de ingletes



► 1. Ranura 2. Manija 3. Calibrador de ingletes

Deslice el calibrador de ingletes al interior de las ranuras gruesas de la mesa. Afloje la manija del calibrador y alínelo al ángulo deseado (0° a 60°). Coloque la madera a ras contra la guía y avance suavemente hacia el disco.

Madera de revestimiento auxiliar (calibrador de ingletes)



Para evitar que un tablero largo bambolee, coloque una tabla a modo de guía auxiliar en el calibrador de ingletes. Taladre agujeros y sujétela con pernos/tuercas, pero éstos no deberán sobresalir de la cara de la tabla.

Corte que no es de lado a lado

Apague la herramienta y desenchúfela antes de cualquier ajuste.

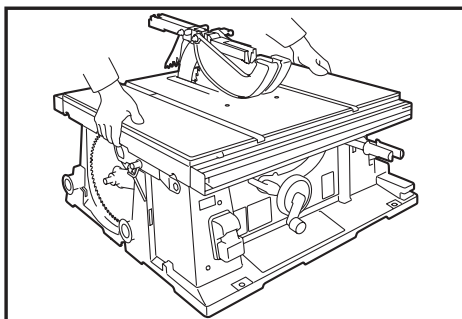
Desmonte el conjunto de protección del disco de la cuchilla de rajar/separador.

Ajustela cuchilla para rajar/separador a la POSICIÓN DE CUCHILLA PARA RAJAR como se describe anteriormente en el manual. Antes de hacer un corte de lado a lado, ajuste la cuchilla para rajar/separador a la posición de separador e instale el conjunto de protección del disco y las protecciones laterales antes de la operación.

⚠ ADVERTENCIA:

- Realizar un corte de lado a lado sin las protecciones adecuadas puede resultar en lesión personal grave.

Transporte de la herramienta



Transporte la herramienta agarrándola por la parte mostrada en la figura.

MANTENIMIENTO

⚠ ADVERTENCIA:

- Asegúrese siempre que la herramienta esté apagada y desenchufada antes de intentar realizar cualquier inspección o mantenimiento.

AVISO: Nunca use gasolina, bencina, diluyente (tiner), alcohol o sustancias similares. Puede que esto ocasione grietas o descoloramiento.

Limpieza

Limpie el serrín y las virutas de vez en cuando. Limpie el protector de disco y las partes móviles del interior de la sierra de mesa con cuidado.

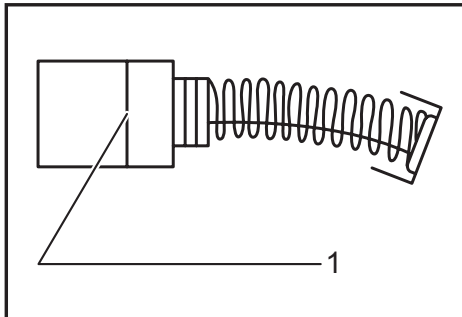
Lubricación

Para mantener la sierra de mesa en óptimas condiciones de funcionamiento, y para asegurar una vida de servicio máxima, lubrique con aceite o grasa las partes móviles y giratorias de vez en cuando.

Puntos de lubricación:

- Eje roscado para elevar el disco
- Articulación para girar el bastidor
- Ejes de la guía de elevación del motor
- Engranaje para elevar el disco
- Carril guía para la guía de corte al hilo
- Eje de las palancas de bloqueo de la submesa (der.)
- Partes deslizantes de la submesa (der.)

Reemplazamiento de las escobillas de carbón

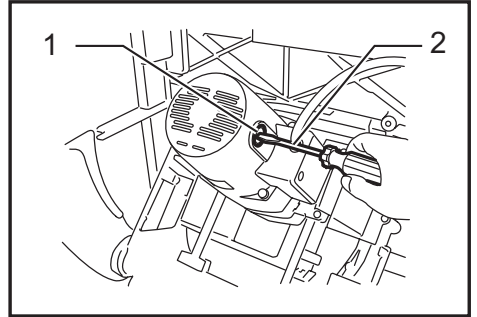


► 1. Marca límite

Extraiga e inspeccione de forma periódica las escobillas de carbón. Sustitúyalas cuando se hayan gastado hasta la marca límite. Mantenga las escobillas de carbón limpias de forma que entren libremente en los portaescobillas. Ambas escobillas de carbón deberán ser sustituidas al mismo tiempo. Utilice únicamente escobillas de carbón originales e idénticas.

Utilice un destornillador para quitar los tapones portaescobillas. Para reemplazar las escobillas de carbón, quite el protector de disco y el disco y después afloje la palanca de bloqueo, incline el cabezal de la sierra y sujételo a un ángulo de bisel de 45°. Apoye la herramienta sobre su parte posterior con cuidado. Después afloje el tapón portaescobillas. Quite las escobillas de carbón desgastadas, inserte las nuevas y vuelva a poner los tapones portaescobillas.

Después de substituir las escobillas, conectar la herramienta y asiente estas escobillas haciendo funcionar la herramienta sin carga durante 10 minutos. Luego verifique la herramienta en funcionamiento y la operación del freno eléctrico cuando suelte el gatillo interruptor. Si el freno eléctrico no funciona bien, comuníquese con su Centro de Servicio Makita local para solicitar reparación.



► 1. Tapa del carbón 2. Destornillador

Para mantener la SEGURIDAD y FIABILIDAD del producto, las reparaciones, y cualquier otra tarea de mantenimiento o ajuste deberán ser realizadas en Centros de Servicio Autorizados por Makita, empleando siempre repuestos Makita.

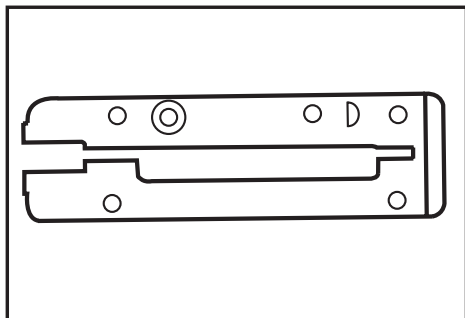
ACCESORIOS OPCIONALES

⚠ ADVERTENCIA:

- Estos accesorios o aditamentos (incluidos o no) están recomendados para utilizar con su herramienta Makita especificada en este manual. El empleo de cualesquiera otros accesorios o acoplamientos conllevará un riesgo de sufrir heridas personales. Utilice los accesorios o acoplamientos solamente para su fin establecido.

Si necesita cualquier ayuda para más detalles en relación con estos accesorios, pregunte a su centro de servicio Makita local.

Cubierta central de mesa (N° de parte 317934-3)



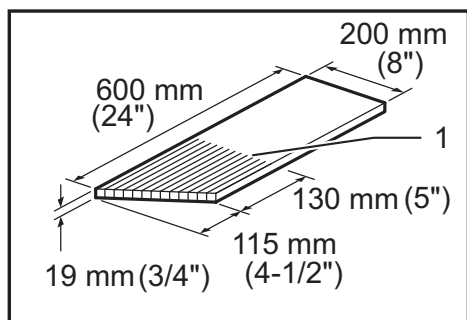
Se requiere usar esta tabla para los juegos de cabezas de ranuras.

El uso de la tabla estándar interferirá con la operación de la cabeza de corte de ranuras.

Para instalar el juego de cabezas de corte de ranuras proceder como sigue.

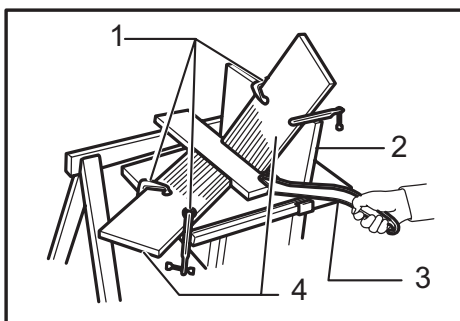
1. Desmonte el conjunto de protección del disco.
2. Desmonte el inserto de tabla estándar.
3. Coloque la cuchilla para rajar/separador en la posición de corte de ranura.
4. Instale el juego de cabezas de corte de ranuras de acuerdo con las instrucciones del fabricante.
5. Coloque el inserto de tabla para corte de ranuras en la mesa.

Cuando ranure con la fresa rotativa, utilice tablas con cantos biselados. El diagrama muestra dimensiones para hacer una tabla de cantos biselados típica. Deberá ser hecha a partir de una pieza de madera recta que no tenga nudos ni grietas.



- 1. La hendidura deberá estar separada 6 mm (1/4")

Las tablas con cantos biselados se utilizan para mantener la pieza de trabajo en contacto con la guía de corte al hilo y la mesa como se muestra en la ilustración, y para detener retrocesos bruscos.



- 1. Pinzas C 2. Tabla de superficie 3. Listón de empuje 4. Tabla con canto biselado

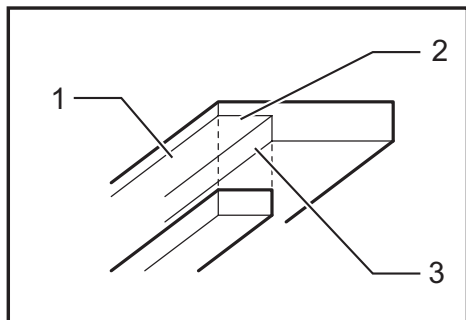
Para instalar tablas con cantos biselados, proceda de la forma siguiente:

6. Apague la herramienta y desconéctela.
7. Añada una tabla de revestimiento plana de 200 mm (8") de alto a la guía de corte al hilo, de la misma longitud que la guía de corte al hilo.
8. Monte tablas de cantos biselados en la guía de corte al hilo y la mesa como se muestra, de forma que los bordes delanteros de las tablas soporten la pieza de trabajo hasta completar el corte, y la pieza de trabajo haya sido empujada completamente hasta pasar la cuchilla con un listón de empuje.
9. Asegúrese de que las tablas de cantos biselados estén firmemente sujetas.

⚠ ADVERTENCIA:

- No utilice juegos de cabezas de corte de ranuras más anchos de 21 mm (13/16") o dados más grandes de 6" en el diámetro extremo.
- Después de los cortes de ranuras, SIEMPRE ajuste adecuadamente la cuchilla para rajar/separador y vuelva a colocar el conjunto de protección del disco y protecciones laterales para cortes de lado a lado.
- NO INTENTE NUNCA hacer cortes en bisel cuando corte con la fresa rotativa de ranurar.
- NO HAGANUNCA ranuras con la fresa rotativa si hay vibración (ondulación) o ruido extraño.
- Avance la pieza de trabajo despacio, especialmente cuando haga ranuras profundas o anchas o mortajas. Si necesita un corte profundo, haga varias pasadas a través de la pieza de trabajo en lugar de un corte profundo y ancho. Los avances rápidos o abruptos pueden resultar peligrosos.
- Utilice un listón de empuje. Cuando la fresa rotativa esté oculta durante el corte, sus manos no deberán estar nunca encima de la madera.
- Si la madera se atora e intenta quitarla tirando de ella hacia usted, podrá producirse un retroceso muy peligroso. Pare siempre la herramienta y espere hasta que la fresa rotativa se detenga completamente. Después retire la madera simplemente.
- Use precaución extrema cuando se desmonte el conjunto de protección para cualquier operación que no sea corte de lado a lado como el corte de ranuras, rebajes o repetir cortes. Ajuste la cuchilla para rajar/separador y vuelva a colocar el conjunto de protección y protecciones laterales.

Cómo realizar machihembrado



► 1. Rebajo 2. Segundo corte 3. Primer corte

1. Desmonte el conjunto de protección del disco y ajuste adecuadamente la cuchilla de rajar/separador a la posición de cuchilla para rajar.
2. Coloque la guía auxiliar en la guía de corte al hilo para cortes de extremo a extremo de la madera. El revestimiento deberá ser tan alto como la anchura de la pieza de trabajo. Ajuste la guía y el disco a las dimensiones deseadas.
3. Primer corte: Sujete la madera a ras de la mesa como en el corte al hilo normal.
4. Segundo corte: Apoye la pieza de trabajo en su canto. (Utilice tablas con cantos biselados, listón de empuje, bloque de empuje, etc., empleando precauciones, normas de seguridad y directrices para corte al hilo o tareas relacionadas.)
5. Para machihembrado de tipo final, si la pieza de trabajo es de menos de 266,7 mm (10-1/2") de ancho, apoye la pieza a ras de la mesa contra el calibrador de ingletes (con madera de revestimiento). No deberá utilizarse la guía de corte al hilo.
6. Cuando pase de una operación de corte de rebajar a una operación de corte de lado a lado, ajuste la cuchilla para rajar/separador a la posición de separador e instale el conjunto de protección y las protecciones laterales.

Juego de estante de mesa (acesorio)

Consulte el manual de instrucciones del estante de sierra de mesa que viene con dicho juego como accesorio opcional.

- Discos de sierra de acero y de carburo

Discos de sierra de mesa e ingletadoras	Para cortes en general con la sierra de mesa e ingletadora
Combinación	Disco de uso general para cortes al hilo, transversales e ingletes rápidos y limpios.
Corte fino transversal	Para cortes sin lijar limpiamente a contrahilo.

- Submesa (izq.)
- Submesa (trasera)
- Guía de corte al hilo
- Calibrador de ingletes
- Llave inglesa acodada 13-22
- Llave del 19
- Llave hexagonal de 5
- Placa auxiliar
- Juego de estante de mesa
- Guía deslizante

NOTA: Algunos de los artículos en la lista pueden incluirse en el paquete de la herramienta como accesorios estándar. Éstos pueden variar de país a país.

GARANTÍA LIMITADA DE MAKITA

Ésta Garantía no aplica para México

Consulte la hoja de la garantía anexa para ver los términos más vigentes de la garantía aplicable a este producto. En caso de no disponer de esta hoja de garantía anexa, consulte los detalles sobre la garantía descritos en el sitio web de su país respectivo indicado a continuación.

Estados Unidos de América: www.makitatools.com

Canadá: www.makita.ca

Otros países: www.makita.com

< USA only >

WARNING

Some dust created by power sanding, sawing, grinding, drilling, and other construction activities contains chemicals known to the State of California to cause cancer, birth defects or other reproductive harm. Some examples of these chemicals are:

- lead from lead-based paints,
- crystalline silica from bricks and cement and other masonry products, and
- arsenic and chromium from chemically-treated lumber.

Your risk from these exposures varies, depending on how often you do this type of work. To reduce your exposure to these chemicals: work in a well ventilated area, and work with approved safety equipment, such as those dust masks that are specially designed to filter out microscopic particles.

< Sólo en los Estados Unidos >

ADVERTENCIA

Algunos polvos creados por el lijado, aserrado, esmerilado, taladrado y otras actividades de la construcción contienen sustancias químicas reconocidas por el Estado de California como causantes de cáncer, defectos de nacimiento y otros peligros de reproducción. Algunos ejemplos de estos productos químicos son:

- plomo de pinturas a base de plomo,
- sílice cristalino de ladrillos y cemento y otros productos de albañilería, y
- arsénico y cromo de maderas tratadas químicamente.

El riesgo al que se expone varía, dependiendo de la frecuencia con la que realice este tipo de trabajo. Para reducir la exposición a estos productos químicos: trabaje en un área bien ventilada y póngase el equipo de seguridad indicado, tal como las máscaras contra polvo que están especialmente diseñadas para filtrar partículas microscópicas.

Makita Corporation

3-11-8, Sumiyoshi-cho,
Anjo, Aichi 446-8502 Japan

www.makita.com

884809B943
2705-1
EN, FRCA, ESMX
20190523